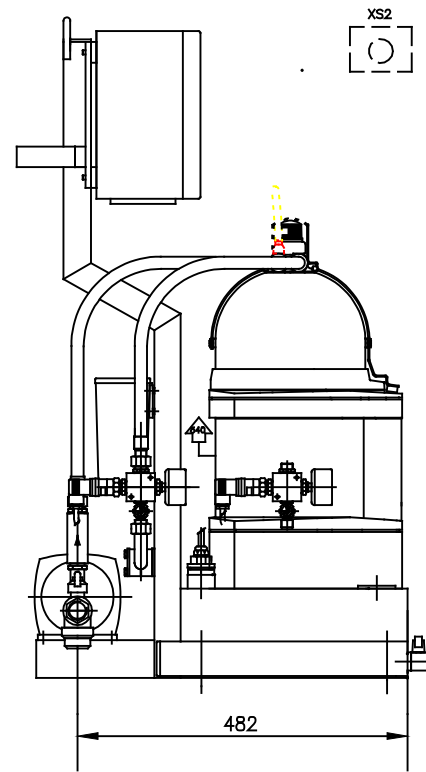
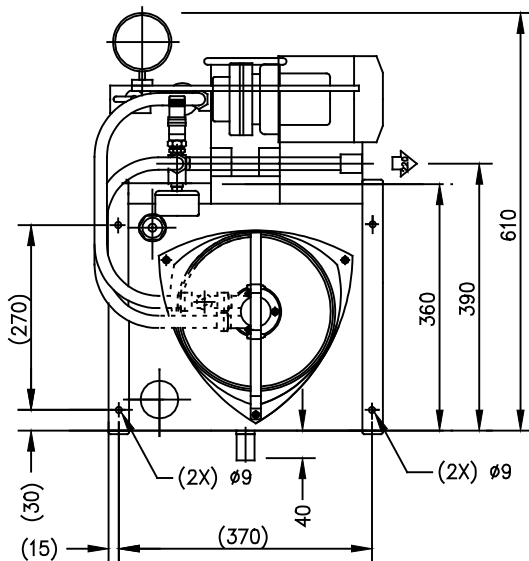
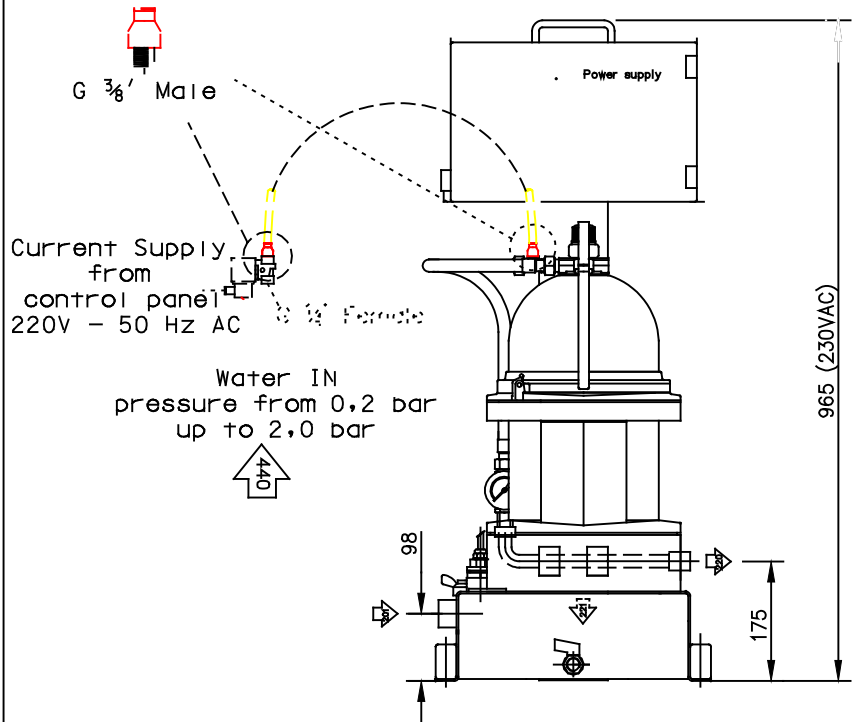



Riisan diam. 10 mm



LEGEND

- ➔ 20 Oil feed, G 3/4
- ➔ 220 Clean oil outlet, G 1/2
- ➔ 221 Water outlet (to collecting tank)
- ➔ 440 Water for water seal
- ➔ 480 Drain, G 1/2
- ➔ 540 Ventilation
- XS2 Emergency stop (optional)
- Wheel Set (optional)
- WEIGHT: 65 kg (AC)

Title		 Ks Supply Sca Via S. Simone 20/52 41042 - Bagnoli Prato (Pr) - Italy www.ocppco.net	
MIF303 module Addition Water Seal Filter Valve Addition Sludge Collector Valve		Date	5/05/07
Assembly Layout		Complementary Dwg. No.	176456601
Sheet #	1 / 1	Rev.	0
Customer	isometric	Drawn	SC
Customer Project No.		Drawing No.	176456601 - 01