

Features

1. Standard Polyamide insert

For all types the polyamide strip inlay enables easy use of the coupling for large pipe gaps and vacuum applications. In addition it increases the shear strength of the coupling and prevents damaging of the rubber due to angular pipe movements.

2. Heavy-duty lock bars

The solid and specially designed lock bars have a larger diameter, improving the coupling's rigidity and the engagement of the bolt threads. The standard E-version is supplied with specially designed bars and has plastic dust caps, yellow for NBR sealing and blue for EPDM-sealing.

3. Protection Ring

For type Flex (E) the protection ring is standard on couplings, with a size below 219,1 mm. and protects the sealing sleeve from UV-rays, flames and enhances the bending stability of the coupling. The protection ring also prevents the sealing from extruding out of the coupling.

4. Conically stamped anchoring ring

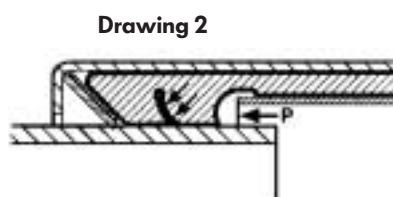
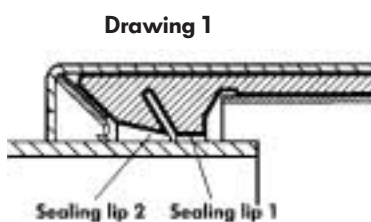
For types Grip (E) and Combi Grip (E) the anchoring ring with its conically stamped teeth indents into the pipe surface and provides safe and strong axial restraintness. Due to the special design of the anchoring ring, the coupling is able to take over high vibration loads.

5. Anchoring ring

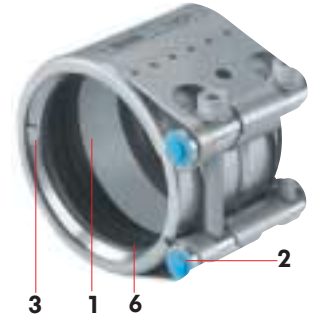
For types Combi Grip (E) and Plast Grip (E) this progressively acting anchoring ring is especially designed for plastic pipes. The multi-grooved ring allows maximum grip on the pipe surface with a minimum of penetration. It prevents pipe surface from damaging. At the same time the force applied will be distributed evenly across the pipe surface.

6. Double-lip sealing system

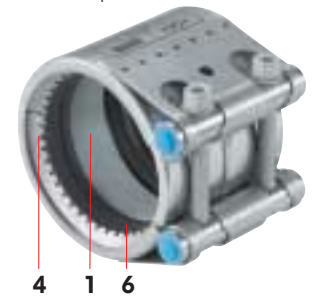
For all types the patented sealing system provides double safety. It prevents leaking even when the coupling is severely damaged by extreme pressure, thanks to the progressive effect of the double-lip sealing.



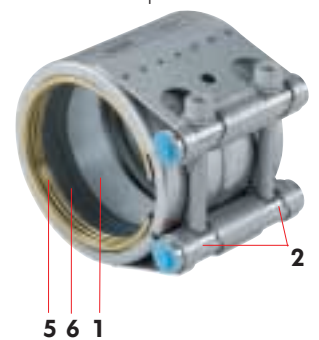
+GF+ Flex (E)



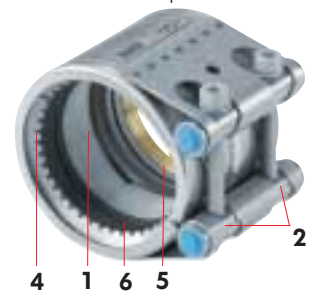
+GF+ Grip (E)



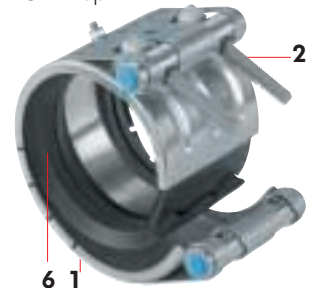
+GF+ Plast Grip (E)



+GF+ Combi Grip (E)



+GF+ Rep E



Materials

W5 quality	Material			Types				
	DIN	AISI/AS	BS	Flex(E)	Grip(E)	Combi Grip(E)	Plast Grip(E)	Rep E
Housing	1.4571	316Ti	320S31	•	•	•	•	•
Bolts	1.4404	316L	316S11	•	•	•	•	•
Hollow lock bars	1.4571	316Ti	320S31	•	•	•	•	•
Solid lock bars	1.4401	316	316S31	•	•	•	•	
Protection ring	1.4571	316Ti	320S31	•				
Anchoring ring: for metal pipes	1.4310	301	301S21		•	•		
for plastic pipes	PA-GF /brass	PA-GF /brass	PA-GF /brass			•	•	
Plastic strip insert	PA-GF	PA-GF	PA-GF	•	•	•	•	•

W2 quality	Material			Types				
	DIN	AISI/AS	BS	Flex(E)	Grip(E)	Combi Grip(E)	Plast Grip(E)	Rep E
Housing	1.4301	304	304S31	•	•	•	•	•
Bolts	1.0737	12L14	230M07	•	•	•	•	•
Hollow lock bars	1.4571	316Ti	320S31	•	•	•	•	•
Solid lock bars	1.4401	316	316S31	•	•	•	•	
Protection ring	1.4571	316Ti	320S31	•				
Anchoring ring: for metal pipes	1.4310	301	301S21		•	•		
for plastic pipes	PA-GF /brass	PA-GF /brass	PA-GF /brass			•	•	
Plastic strip insert	PA-GF	PA-GF	PA-GF	•	•	•	•	•

Temperature and media

Sealing	EPDM	NBR
Temperature range	OD ≤ 168,3 mm -30 °C to +125 °C OD > 180 mm -20 °C to +80 °C	-20 °C to +80 °C
Media	Potable water Aqueous acids Aqueous alkalines Alcohols Compressed air	Water, sea water Mineral oils Grease Fuels, propellants Gas Compressed air

Certificates

Certificates & approvals for utilities, industry and shipbuilding are all available.

