



+GF+

Plastic Piping Systems in Ship Building

GF Piping Systems

+GF+

quick - simple - no tools - connection by hand !



1. Cutting the pipe

2. Chamfering



3. Attach the Adapter on the pipe



4. Snap the adapter on the module, hear the



Disassembly possible



1. Open the body with a tong



2. Screw of the body



3. Replace the pipe



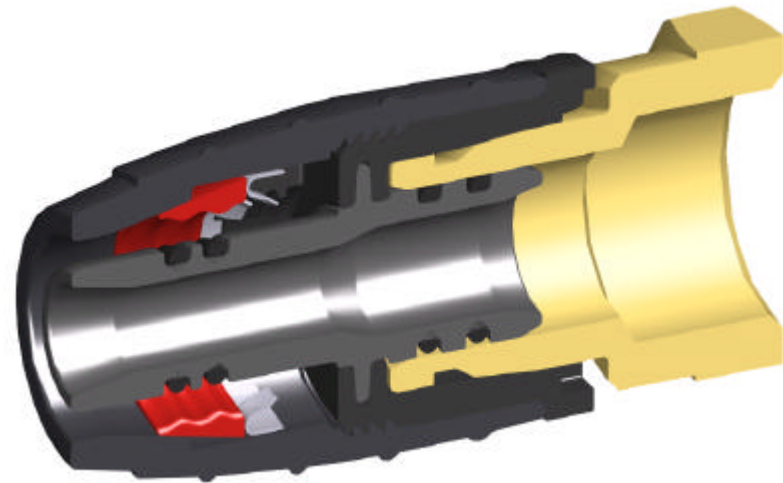
4. Remove the half shelves



5. Pullout the nipple

The **i**ntelligent Connection

- **double O-Ring sealing**
- **all O-Rings seals internal in the pipe**
- **100% testing of the adaptors**
- **solid grip on the pipe**
- **intensive testing in Laboratories and on construction sites**



+GF+

The Adaptor

