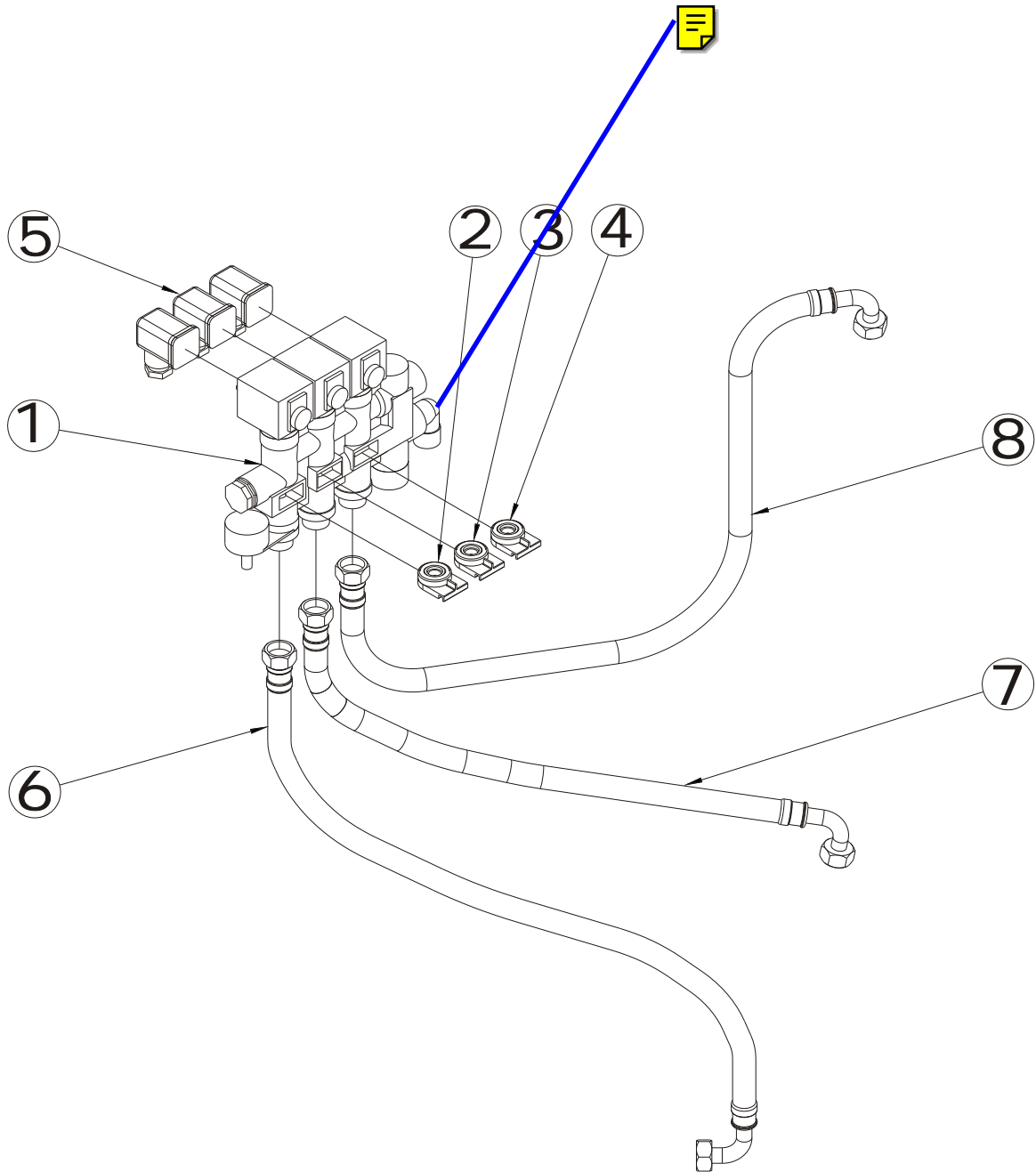


7. Components - 6 Valves - 64 Solenoid Valve Block (Water), PA Separation System
MDPC Acrobat Enclosure

7.6.64.1-1 Equipment Specification, Valve Block Water for PA



Ref. 570807 Rev. 0

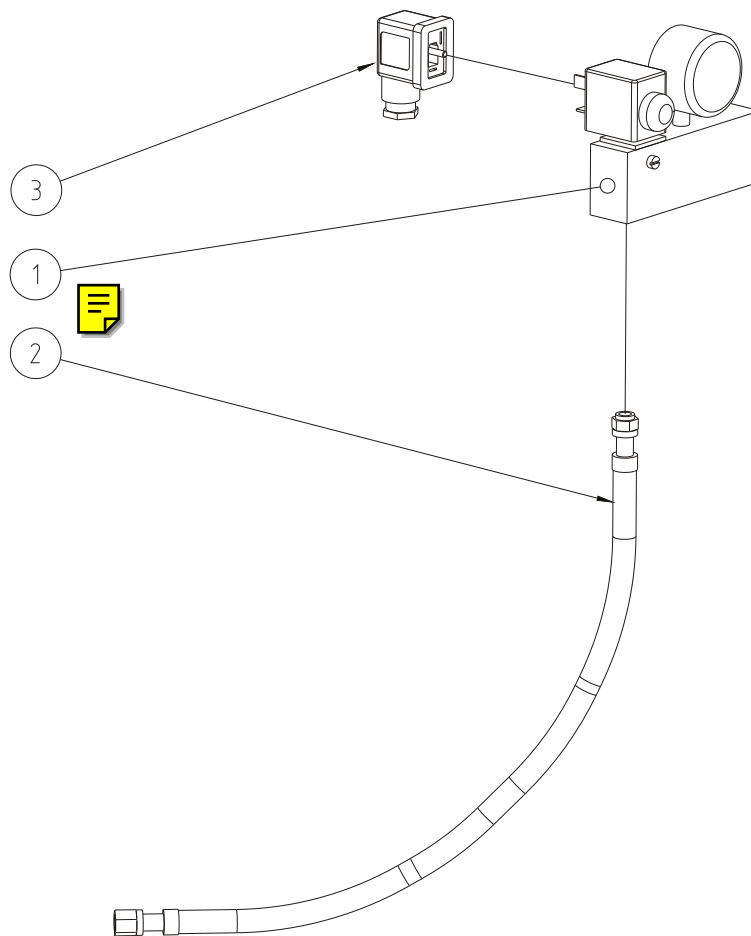
Marine Product Catalogue

Illustrations, indications of material, dimensions and weights etc herein, do not constitute any commitment on our part.
We reserve the right to change such specifications when necessary.

Page: 1

7. Components - 6 Valves - 65 Solenoid Valve Block (AIR), PA Separation System
MDPC Acrobat Enclosure

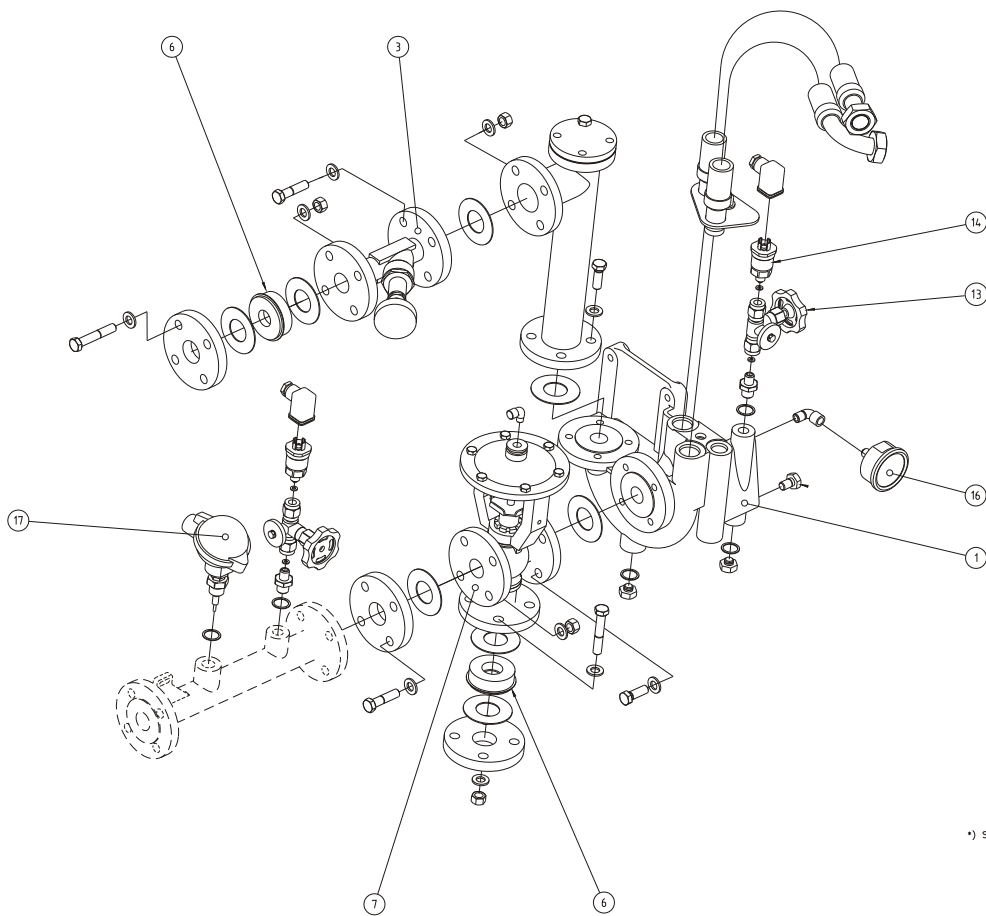
7.6.65.1-1 Equipment Specification, Valve Block Air for PA



7. Components - 6 Valves - 66 Solenoid Valve Block (Oil), PA Separation System

MDPC Acrobat Enclosure

7.6.66.1-1 Equipment Specification, Valve Block Oil for PA



Ref. 570846 Rev. 1

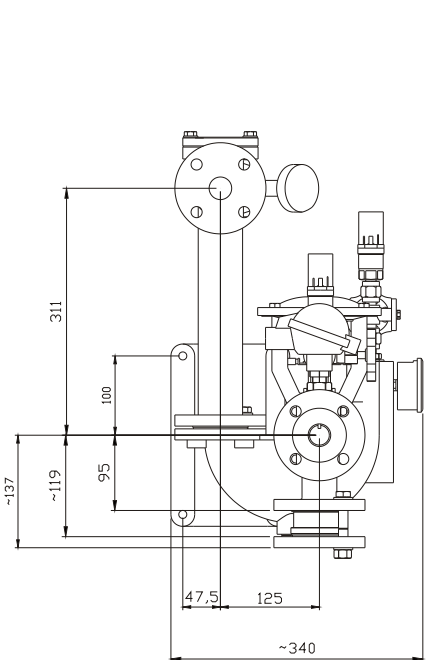
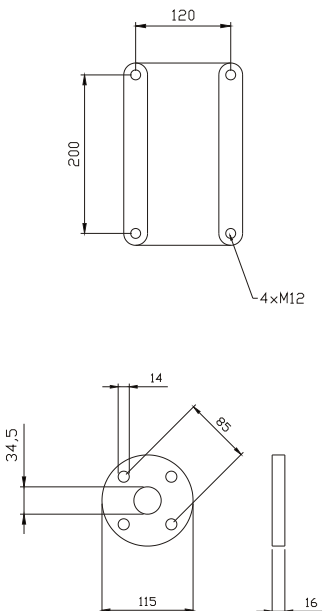
Marine Product Catalogue

Illustrations, indications of material, dimensions and weights etc herein, do not constitute any commitment on our part. We reserve the right to change such specifications when necessary.

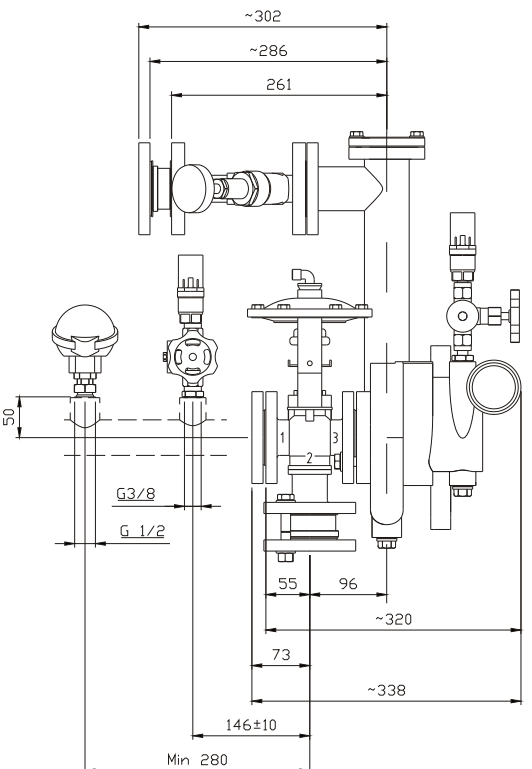
Page: 1

7. Components - 6 Valves - 66 Solenoid Valve Block (Oil), PA Separation System
MIDPC Acrobat Enclosure

7.6.66.1-1 Equipment Specification, Dimension Drawing Valve Block Oil for PA



Weight:~50 kg



Ref. 570846 Rev. 1

Marine Product Catalogue
Illustrations, indications of material, dimensions and weights etc herein, do not constitute any commitment on our part.
We reserve the right to change such specifications when necessary.