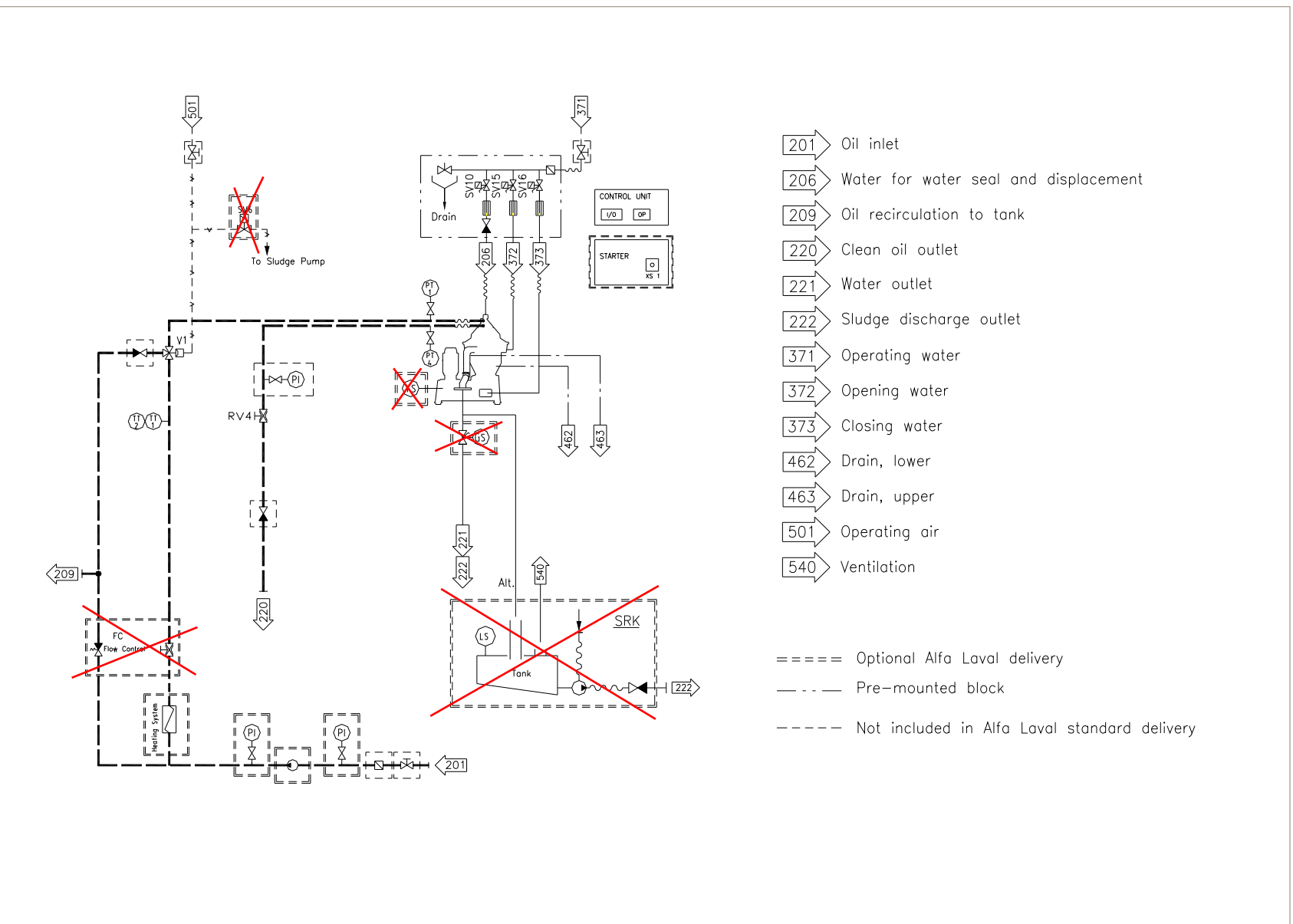
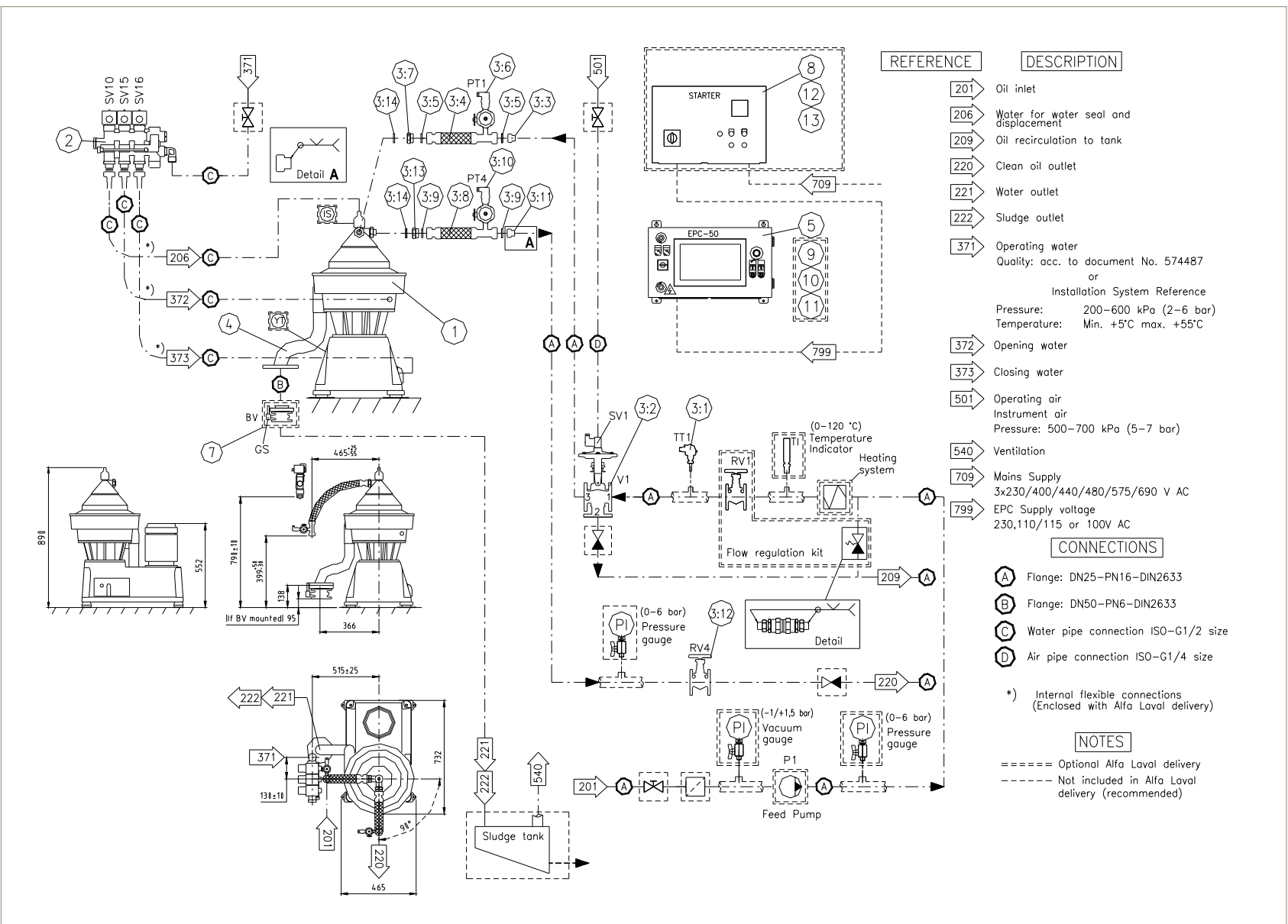


1.4 Flow chart, PA 605/615



1.4 Mounting drawing, Separation system PA 615 with Sludge Outlet Kit, DIN



Ref. 576833 Rev. 1

Marine & Diesel Product Catalogue
Illustrations, indications of material, dimensions and weights etc herein, do not constitute any commitment on our part.
We reserve the right to change such specifications when necessary.

Edition:

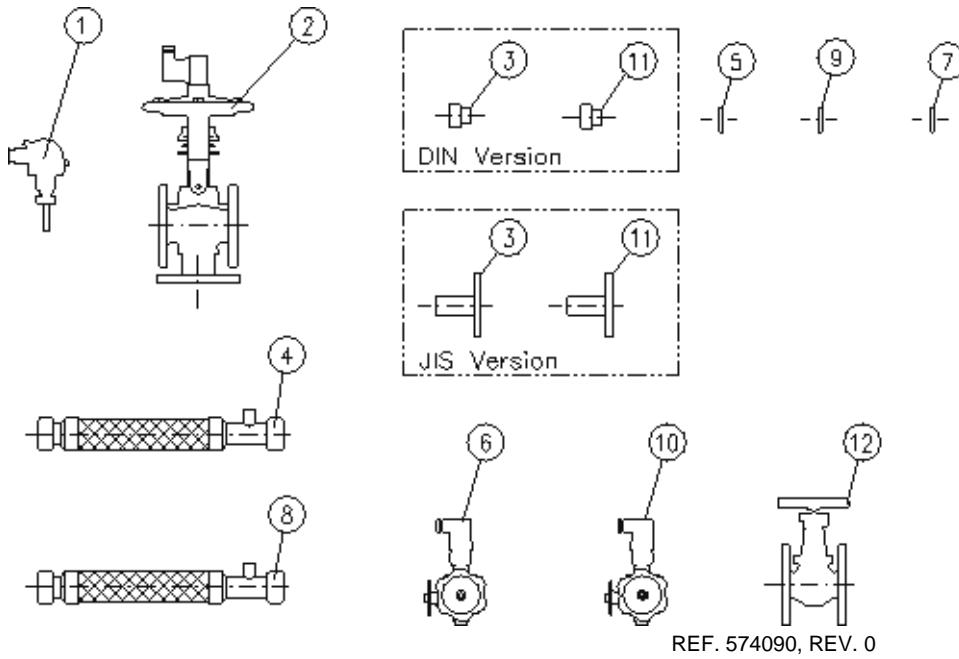
11. Others - 1 Components - 10 Various Kits

Released

MDPC

Oil Ancillary Kit

Drawings & Charts - Assembly

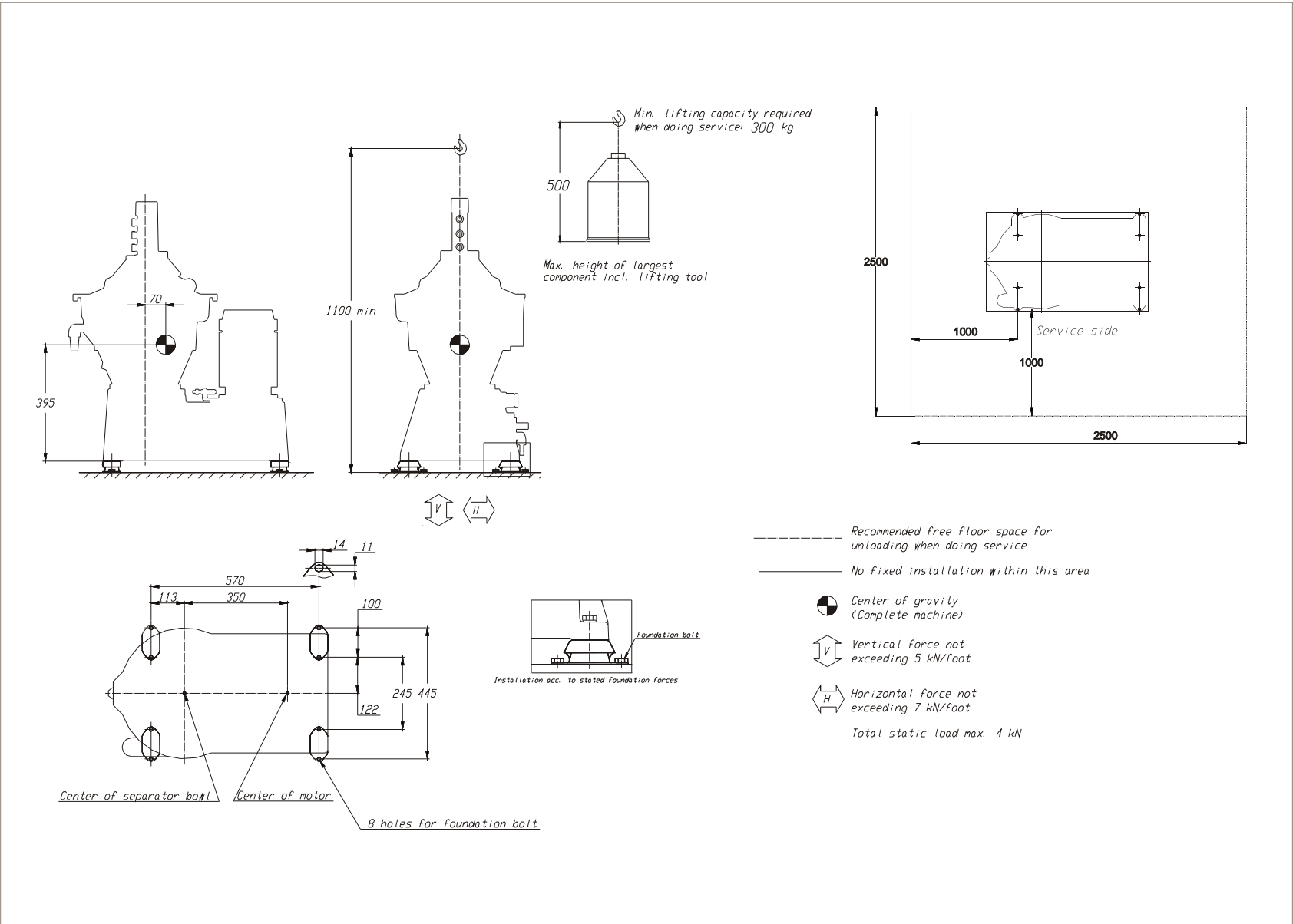


Document published on Web

Created by CN=Beatrice Holmberg/OU=TU/OU=SE/O=ALFALAVAL on 31/05/2005

Modified by Beatrice Holmberg on 2005-11-22

11.1.1.2 Foundation Drawing, P 100/150, P 600/610, P 605/615

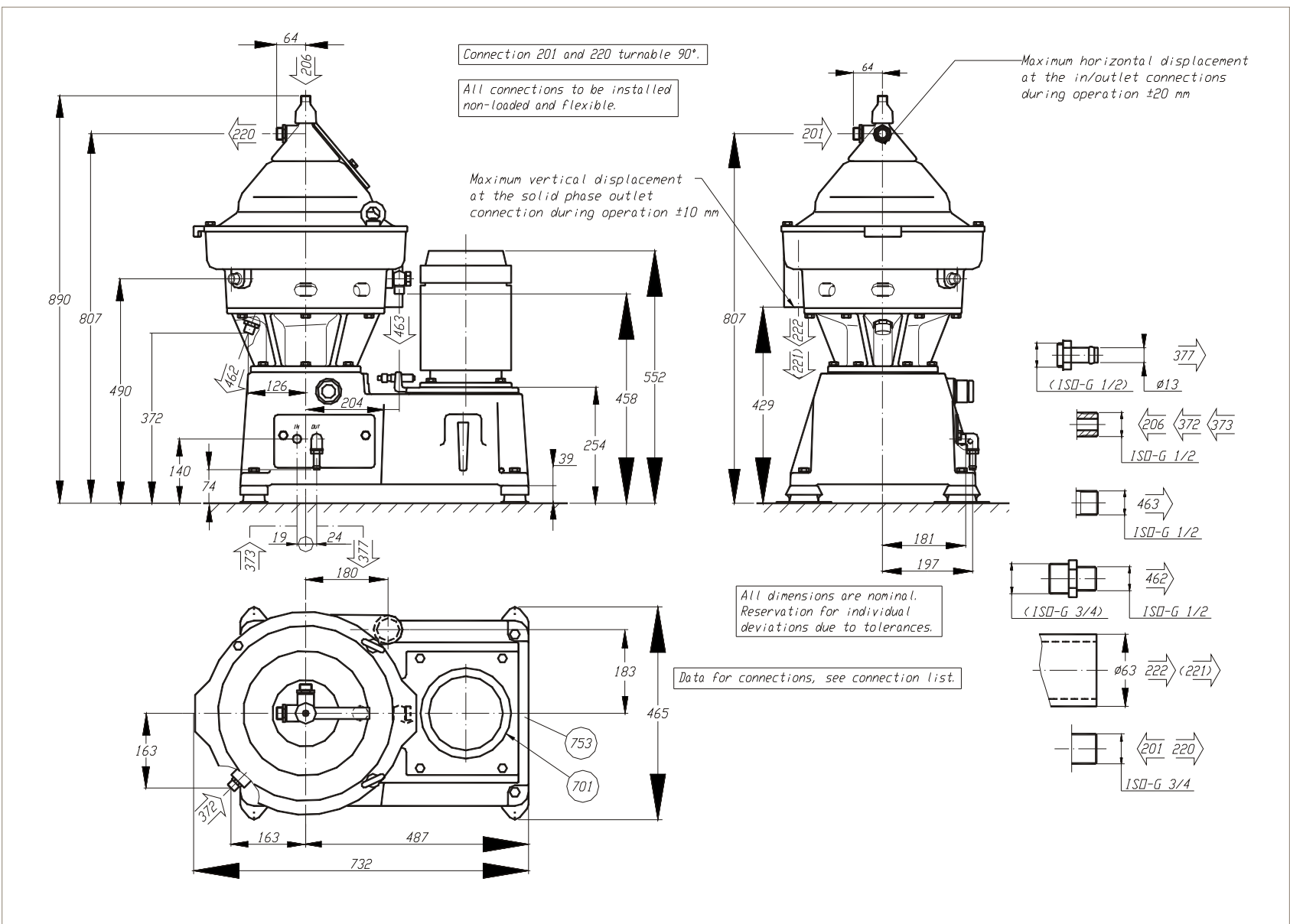


Ref. 548711 Rev. 2

Marine & Diesel Product Catalogue
 Illustrations, indications of material, dimensions and weights etc herein, do not constitute any commitment on our part.
 We reserve the right to change such specifications when necessary.

11.1.1.2 Dimension Drawing, P 150, P 610, P 615

11 Others - 1 Components - 1 Separators - 2 P-separators
MDPC Acrobat Enclosure



Ref. 565298 Rev. 2

Marine & Diesel Product Catalogue
 Illustrations, indications of material, dimensions and weights etc herein, do not constitute any commitment on our part.
 We reserve the right to change such specifications when necessary.

11.1.1.2 Connection List, P 100/150, P 600/610, P 605/615



Anslutningslista Connection list	Document No	561658
	Revision No	1
	Page	1 (2)

No	Description	Requirements/limits
201	<u>Inlet for process liquid.</u> - Flow: - Pressure:	See "Performance data in- and outlet device" See "Performance data in- and outlet device"
206	<u>Inlet for liquid seal and displacement liquid.</u> - Flow, set value: - Quality requirements:	8 l/min See "Quality specification water".
220	<u>Outlet for light phase, clarified liquid.</u> - Counter pressure: - Capacity:	See "Performance data in- and outlet device" See "Performance data in- and outlet device"
222	<u>Outlet for solid phase.</u> - Discharge volume:	See "Technical data" The outlet from the sludge cover must always be arranged to prevent the cover from being filled up with sludge.
(221)	<u>Outlet for heavy phase.</u>	Should be possible to drain liquids by gravity.
372	<u>Inlet for discharge liquid.</u> - Flow, set value: - Quality requirements:	18 l/min See "Quality specification water".
373	<u>Inlet for make-up liquid.</u> - Flow, set value: - Quality requirements: - Consumption:	0,9 l/min See "Quality specification water". 0,9 l/discharge

SK	First edition			Latest revision		
	Issued	Checked	Approved, date	Issued	Checked	Approved, date
RW	NS		KV 970115	TN		TN 991123

This document and its contents are the exclusive property of Alfa Laval Separation AB, and may not be copied, reproduced, transmitted or communicated to a third party, nor used for any purpose without written permission.

This document may constitute a contractual obligation on the part of Alfa Laval Separation AB only to the extent expressly agreed upon.

11.1.1.2 Connection List, P 100/150, P 600/610, P 605/615

Alfa Laval
Alfa Laval Separation AB
Tumba, Sweden

Anslutningslista Connection list	Document No	561658
	Revision No	1
	Page	2 (2)

No	Description	Requirements/limits
377	<u>Outlet for operating liquid.</u>	Should be possible to drain liquids by gravity.
462	<u>Drain of frame top part, lower.</u>	Should be possible to drain liquids by gravity
463	<u>Drain of frame top part, upper.</u>	Should be possible to drain liquids by gravity.
701	<u>Motor for separator.</u> - Allowed frequency variation:	±5% (Momentarily during maximum 5 seconds: ±10%)
753	<u>Unbalance sensors, vibration.</u> - Type: - Frequency range: - Vibration measurement range: - Internal impedance: - Reset coil voltage: - Reset coil power: - Switch rating, resistive load max:	Mechanical switch < 300 Hz < 4,5 g 4 kΩ ±5 % 48 V DC Max. 14 W 2 A @ 24 V DC

This document and its contents are the exclusive property of Alfa Laval Separation AB, and may not be copied, reproduced, transmitted or communicated to a third party, nor used for any purpose without written permission.

This document may constitute a contractual obligation on the part of Alfa Laval Separation AB only to the extent expressly agreed upon.

Ref. 561658 Rev. 1

Marine & Diesel Product Catalogue

Page: 2/2

Illustrations, indications of material, dimensions and weights etc herein, do not constitute any commitment on our part. We reserve the right to change such specifications when necessary.

Edition:

11. Others - 1 Components - 2 Starters

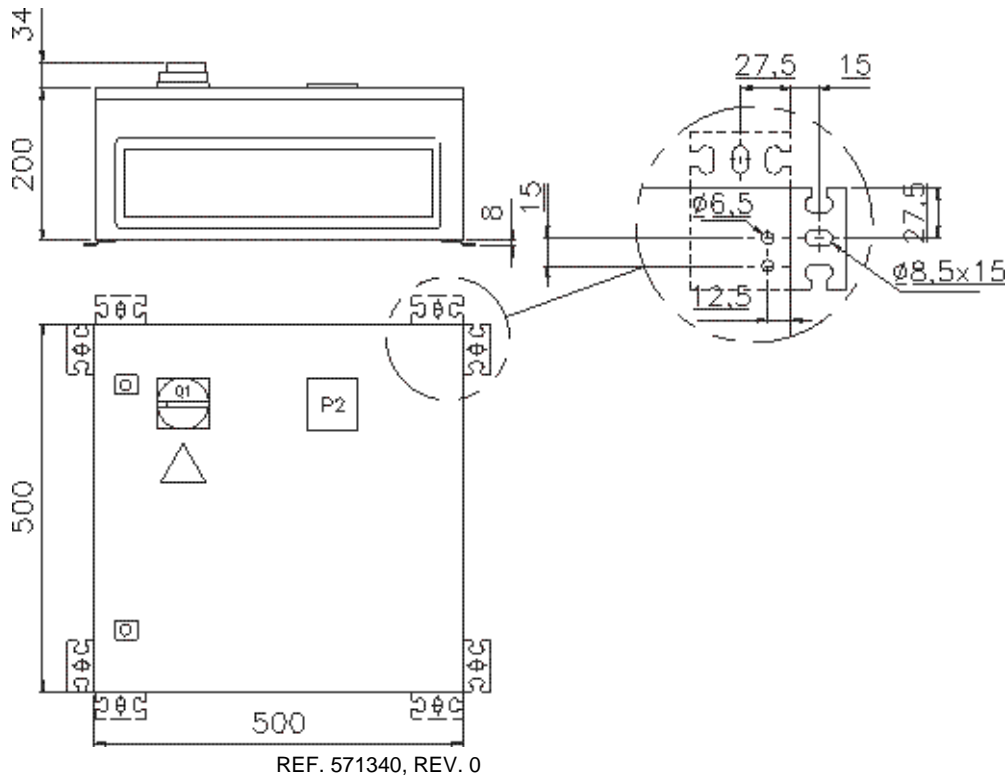
Released

MDPC

2,5-16 A / 0,4-10 A, for PA and pump

Drawings & Charts - Dimensions

Dimension Drawing



Document published on Extranet

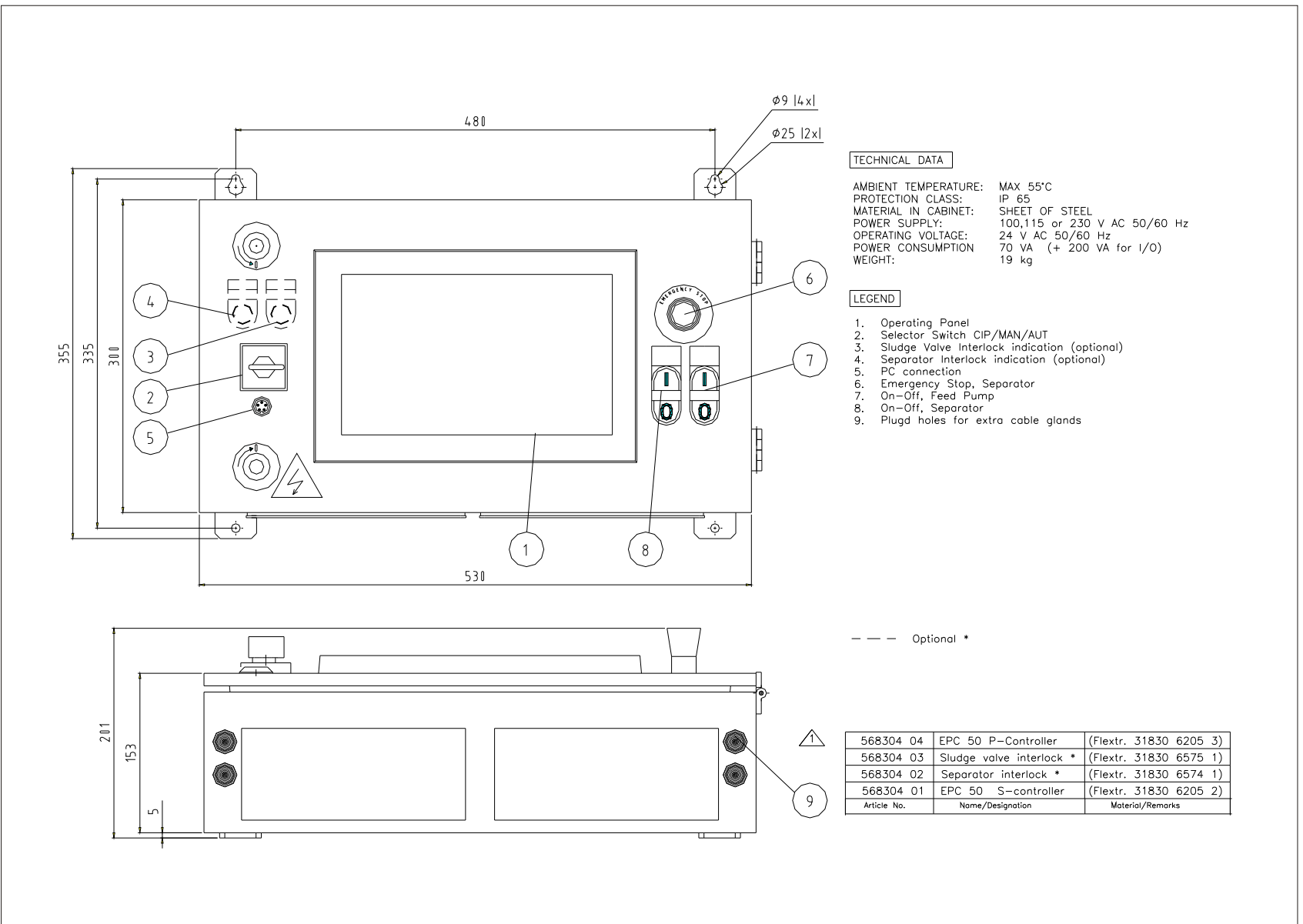
Created by Alessandro Tovoli on 25/03/2004

Modified by Beatrice Holmberg on 2004-09-01

7. Components - 5 Control and monitoring units - 19 Control Unit, PA

MDFC Acrobat Enclosure

7.5.19.1 Dimension Drawing, Control unit, PA



Ref. 568304 Rev. 3

Marine & Diesel Product Catalogue
 Illustrations, indications of material, dimensions and weights etc herein, do not constitute any commitment on our part.
 We reserve the right to change such specifications when necessary.

Edition:

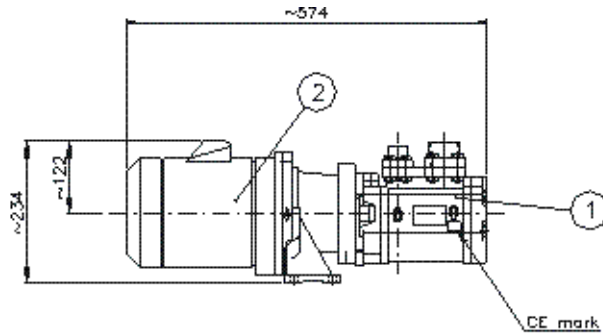
6. Pumps - 1 ACP Pumps

Released

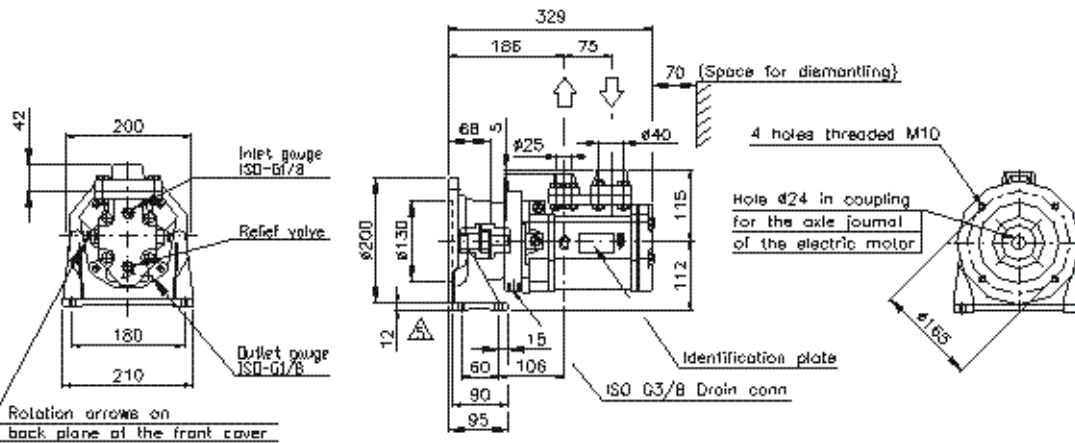
MDPC

ACP 032**System Information - Technical Data**

Pump type	Positive displacement
Media	Fuel & lubricating oil
Media temperature	Max. 120°C
Max. feeding pressure	0,3 MPa (3 bar)
Material	
Pump body	Nodular cast iron
Pump screw	Steel and cast iron
Suction head	- 4 m WG manometric - 0 m WG manometric for 2800 rpm and 3400 rpm
Built on Safety Valve, opening setting:	0,6 MPa (6 bar)
Motor	Totally enclosed three phase motor for marine applications
Enclosure	IP 55
Article no.	1764502-65 to -90



PUMP WITH MOTOR



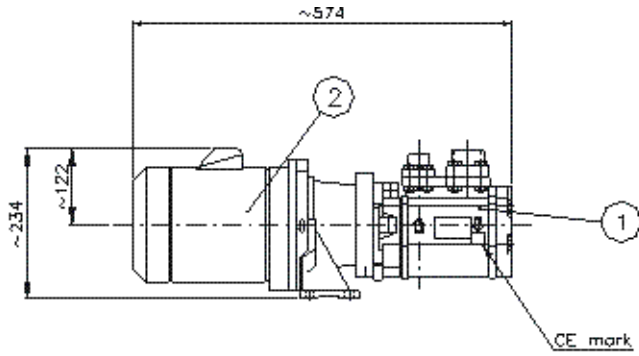
PUMP WITHOUT MOTOR

REF. 1764502, REV. 5

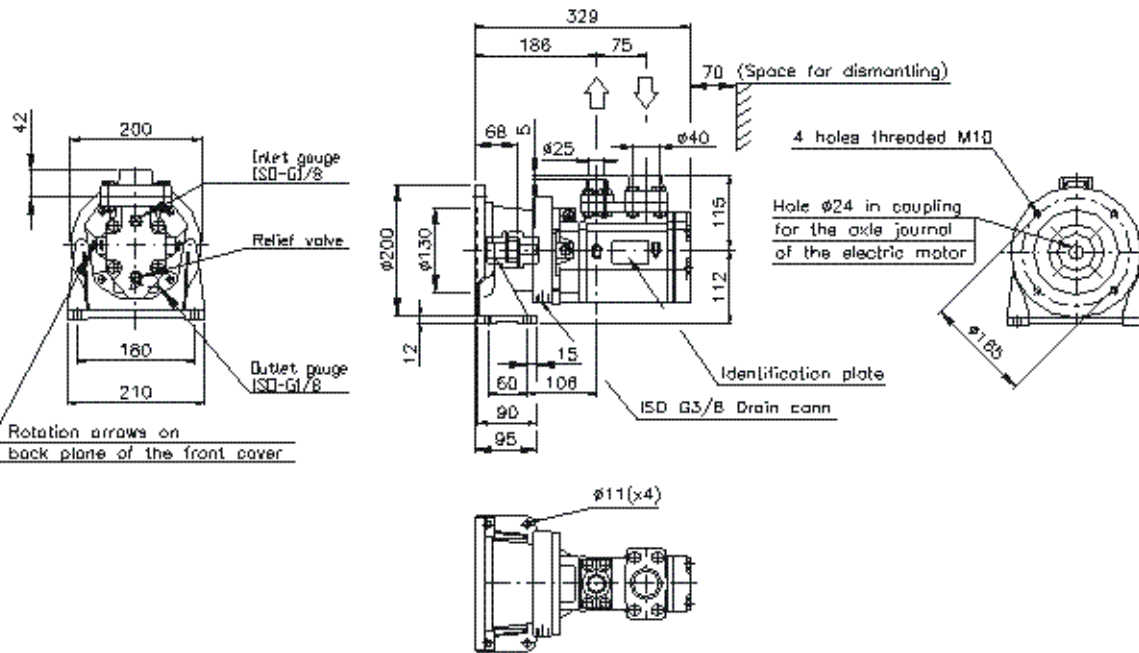
Dimensions in mm

1764502-90	690	60	3400	565192-16	1,8	2,2	30
1764502-89	690	60	1700	551590-18	1,3	1,9	30
1764502-88	690	60	1100	551613-18	0,9	1,5	29,5
1764502-87	690	50	2800	565192-07	1,5	1,9	30
1764502-86	690	50	1400	551590-14	1,1	1,6	30
1764502-85	690	50	900	551613-14	0,75	1,3	29,5
1764502-84	575	60	1700	551590-06	1,3	2,2	30
1764502-83	480	60	3400	565192-13	1,8	3,1	30
1764502-82	480	60	1700	551590-08	1,3	2,8	30
1764502-81	480	60	1100	551613-08	0,9	2,3	29,5
1764502-80	460	60	3400	565192-12	1,8	3,2	30
1764502-79	460	60	1700	551590-07	1,3	2,8	30
1764502-78	460	60	1100	551613-07	0,9	2,3	29,5
1764502-77	440	60	3400	565192-11	1,8	3,4	30
1764502-76	440	60	1700	551590-05	1,3	2,9	30
1764502-75	440	60	1100	551613-05	0,9	2,4	29,5
1764502-74	400	50	2800	565192-02	1,5	3,2	30
1764502-73	400	50	1400	551590-10	1,1	2,8	30
1764502-72	400	50	900	551613-10	0,75	2,3	29,5
1764502-71	230	60	3400	565192-18	1,8	6,5	30
1764502-70	230	60	1700	551590-09	1,1	4,2	30
1764502-69	230	60	1100	551613-09	0,75	3,5	29,5
1764502-68	230	50	2800	565192-09	1,5	5,6	30
1764502-67	230	50	1400	551590-11	1,1	4,9	30
1764502-66	230	50	900	551613-11	0,75	4,0	29,5
1764502-65	—	—	—	Pump without motor			17
Article No. Complete Set	Voltage	Hz	rpm	Motor(included) Article No.	kW	A	Weight (kg)

Pump type	Positive displacement
Media	Fuel & lubricating oil
Media temperature	Max. 120°C
Max. feeding pressure	0,3 MPa (3 bar)
Material	
Pump body	Nodular cast iron
Pump screw	Steel and cast iron
Suction head	- 4 m WG manometric - 0 m WG manometric for 2800 rpm and 3400 rpm
Built on Safety Valve, opening setting:	0,6 MPa (6 bar)
Motor	Totally enclosed three phase motor for marine applications
Enclosure	IP 55
Article no.	1762163-65 to -90



PUMP WITH MOTOR



PUMP WITHOUT MOTOR

REF. 1762163, REV. 5

Dimensions in mm

1762163-90	690	60	3400	565192-16	1,8	2,2	30
1762163-89	690	60	1700	551590-18	1,3	1,9	30
1762163-88	690	60	1100	551613-18	0,9	1,5	29,5
1762163-87	690	50	2800	565192-07	1,5	1,9	30
1762163-86	690	50	1400	551590-14	1,1	1,6	30
1762163-85	690	50	900	551613-14	0,75	1,3	29,5
1762163-84	575	60	1700	551590-06	1,3	2,2	30
1762163-83	480	60	3400	565192-13	1,8	3,1	30
1762163-82	480	60	1700	551590-08	1,3	2,8	30
1762163-81	480	60	1100	551613-08	0,9	2,3	29,5
1762163-80	460	60	3400	565192-12	1,8	3,2	30
1762163-79	460	60	1700	551590-07	1,3	2,8	30
1762163-78	460	60	1100	551613-07	0,9	2,3	29,5
1762163-77	440	60	3400	565192-11	1,8	3,4	30
1762163-76	440	60	1700	551590-05	1,3	2,9	30
1762163-75	440	60	1100	551613-05	0,9	2,4	29,5
1762163-74	400	50	2800	565192-02	1,5	3,2	30
1762163-73	400	50	1400	551590-10	1,1	2,8	30
1762163-72	400	50	900	551613-10	0,75	2,3	29,5
1762163-71	230	60	3400	565192-18	1,8	6,5	30
1762163-70	230	60	1700	551590-09	1,1	4,2	30
1762163-69	230	60	1100	551613-09	0,75	3,5	29,5
1762163-68	230	50	2800	565192-09	1,5	5,6	30
1762163-67	230	50	1400	551590-11	1,1	4,9	30
1762163-66	230	50	900	551613-11	0,75	4,0	29,5
1762163-65	—	—	—	Pump without motor			17
Article No. Complete Set	Voltage	Hz	rpm	Motor(included) Article No.	kW	A	Weight (kg)

Document published on Web

Created by CN=Beatrice Holmberg/OU=TU/OU=SE/O=ALFALAVAL on 12/03/2004

Modified by Beatrice Holmberg on 2005-10-10