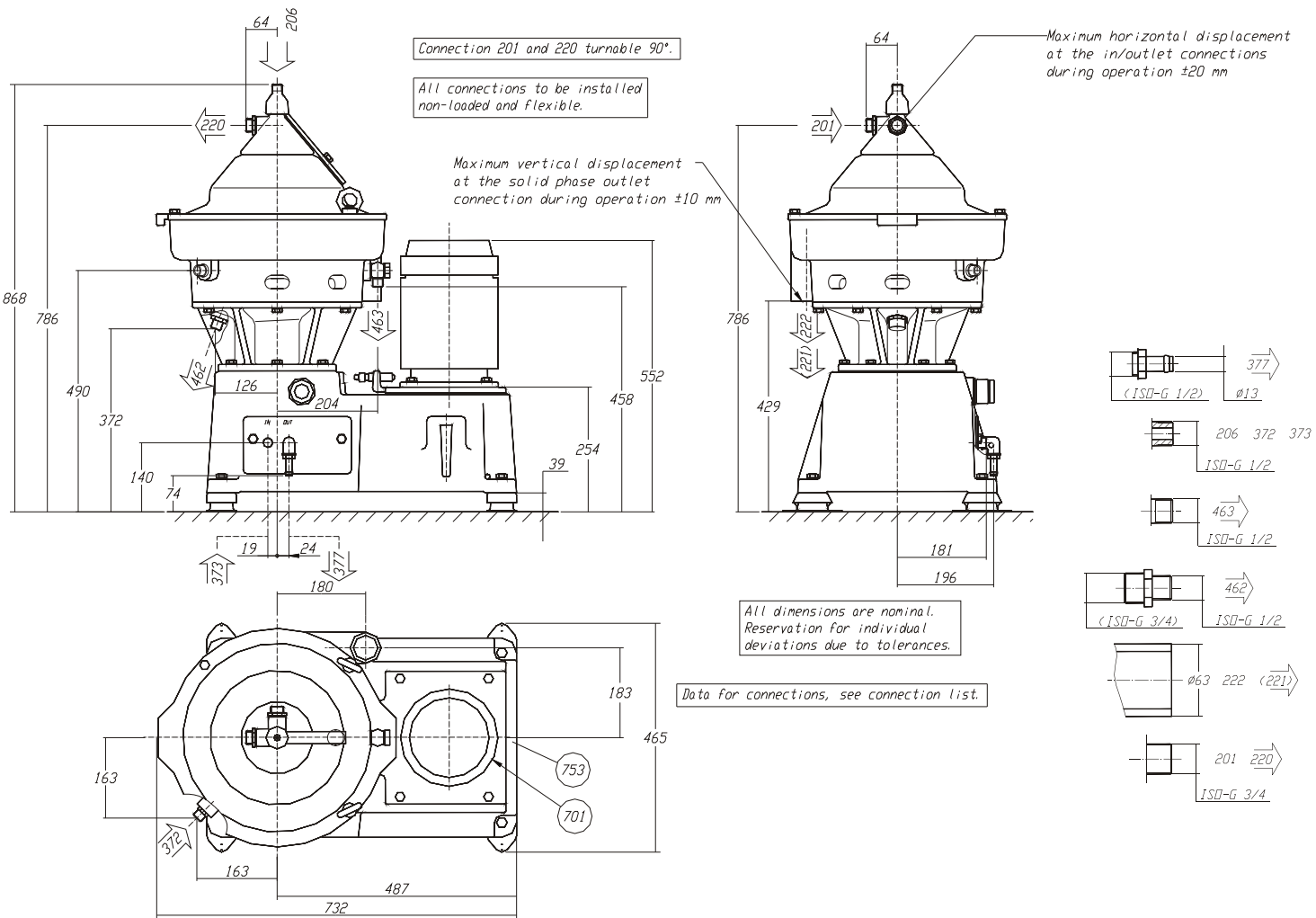


7.1.12.2-1 Dimension Drawing, P 600

7. Components - 1 Separators - 12 P Separator  
MIDPC Acrobat Enclosure



Ref. 565297 Rev. 2

Marine Product Catalogue  
Illustrations, indications of material, dimensions and weights etc herein, do not constitute any commitment on our part.  
We reserve the right to change such specifications when necessary.