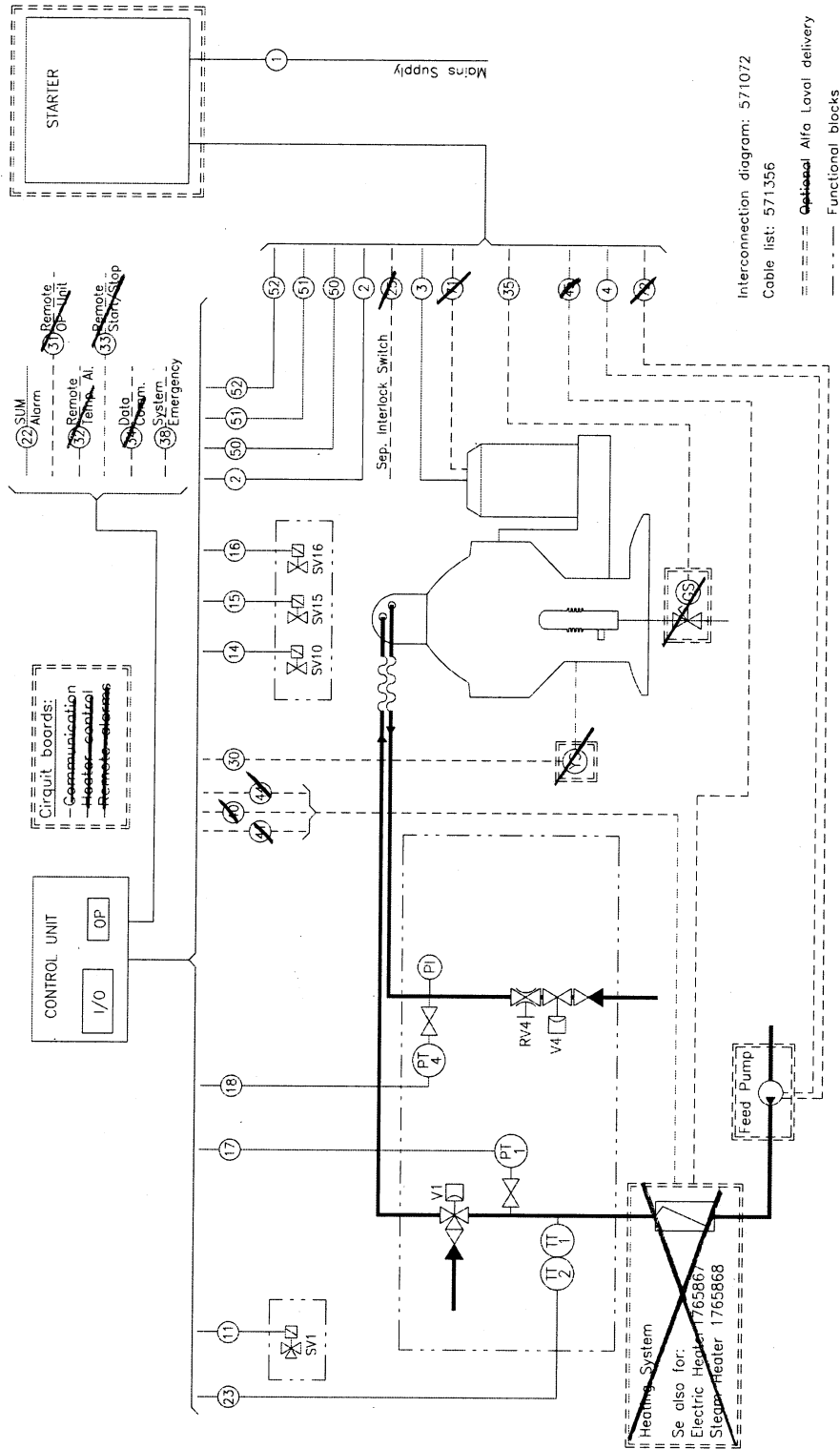


7. Components - 5 Control and Monitoring Units - 19 Control Unit, PA

MDPC Acrobat Enclosure

7.5.19.2 Electrical System Layout, Control Unit, PA **MDO**



Ref. 571357 Rev. 0

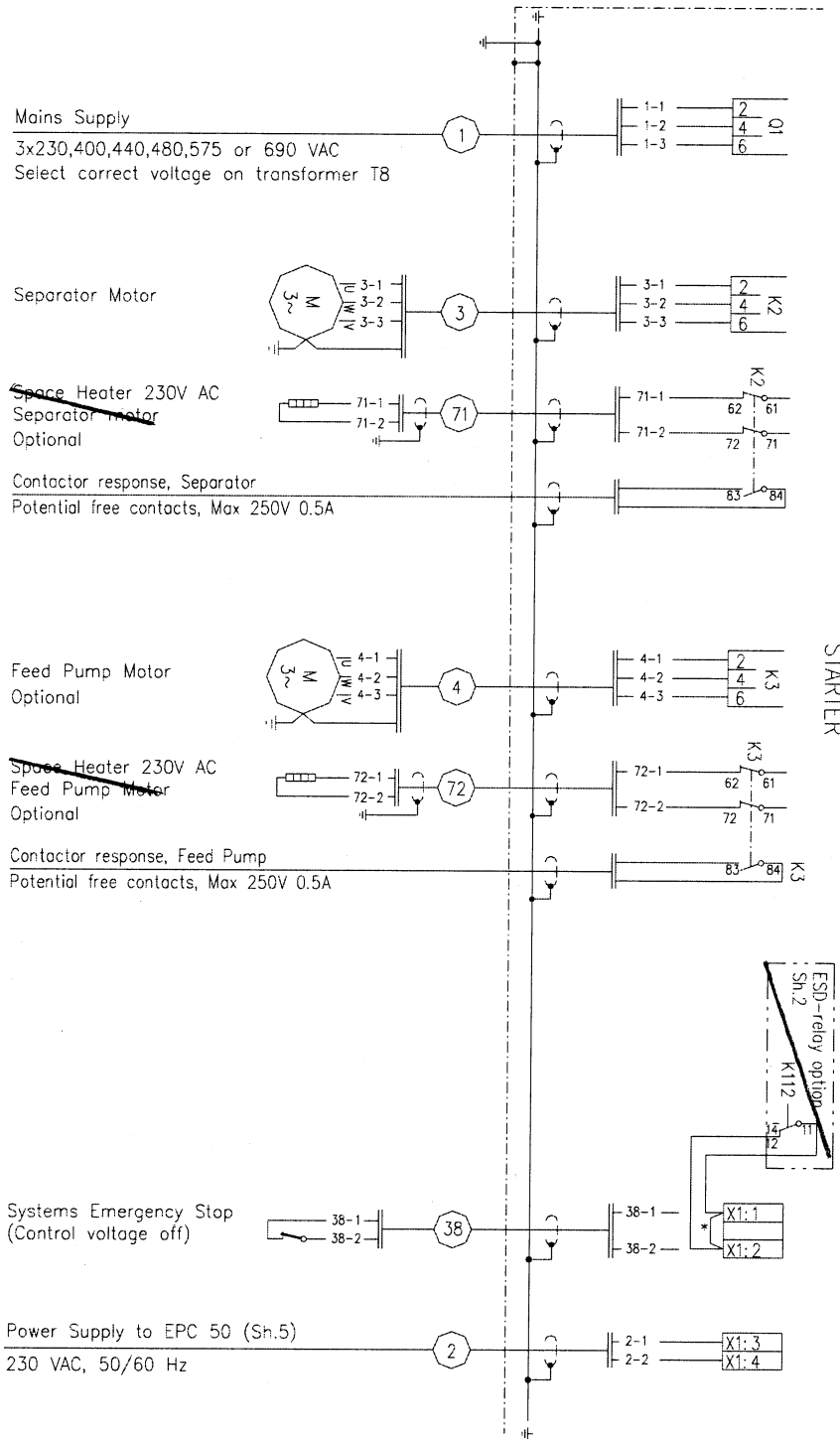
Marine Product Catalogue

Illustrations, indications of material, dimensions and weights etc herein, do not constitute any commitment on our part. We reserve the right to change such specifications when necessary.

7. Components - 5 Control and Monitoring Units - 19 Control Unit, PA  
MDPC Acrobat Enclosure

7.5.19.3 Interconnection Diagram, Control Unit, PA

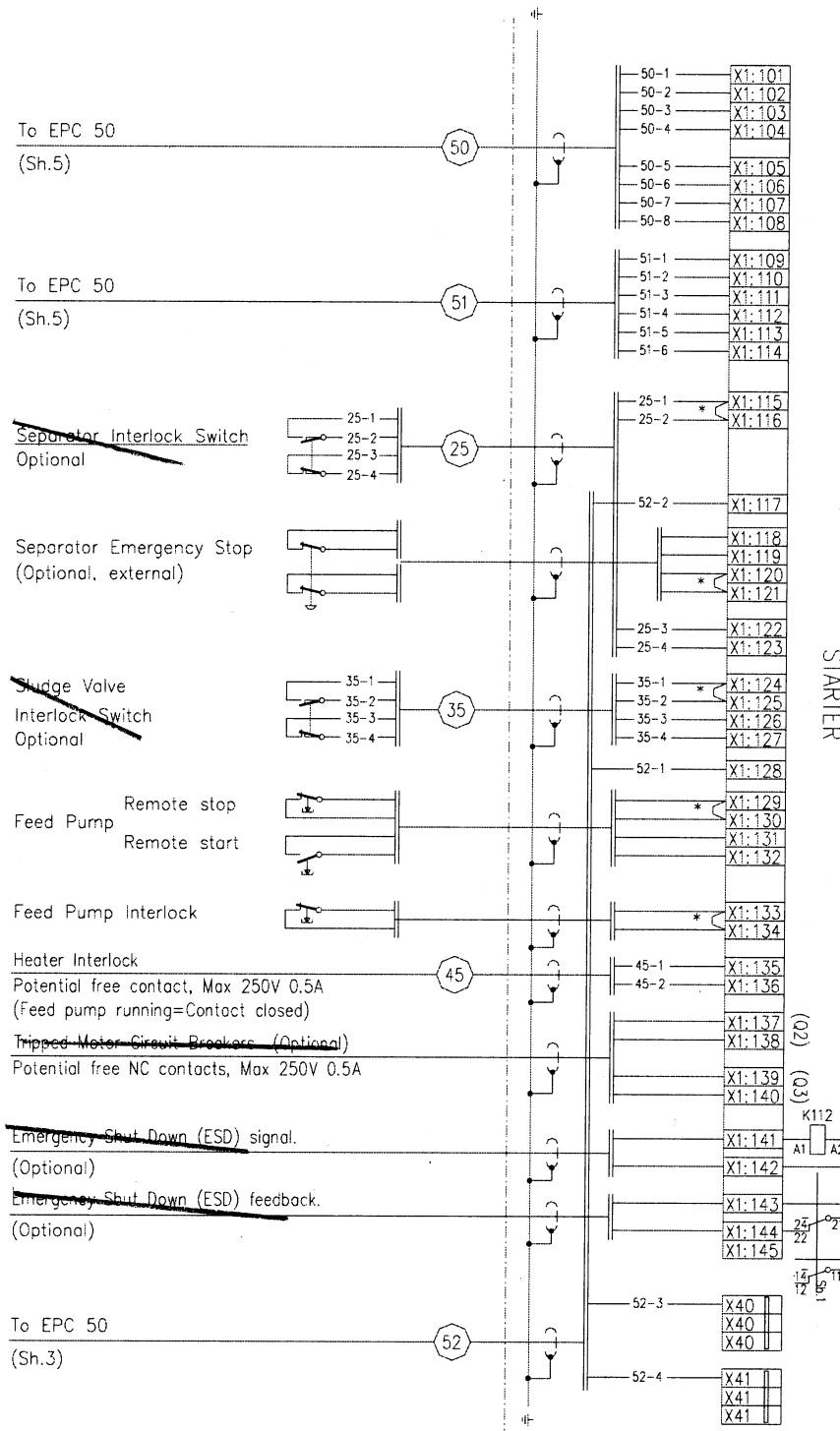
\*=Replaces jumper in terminals



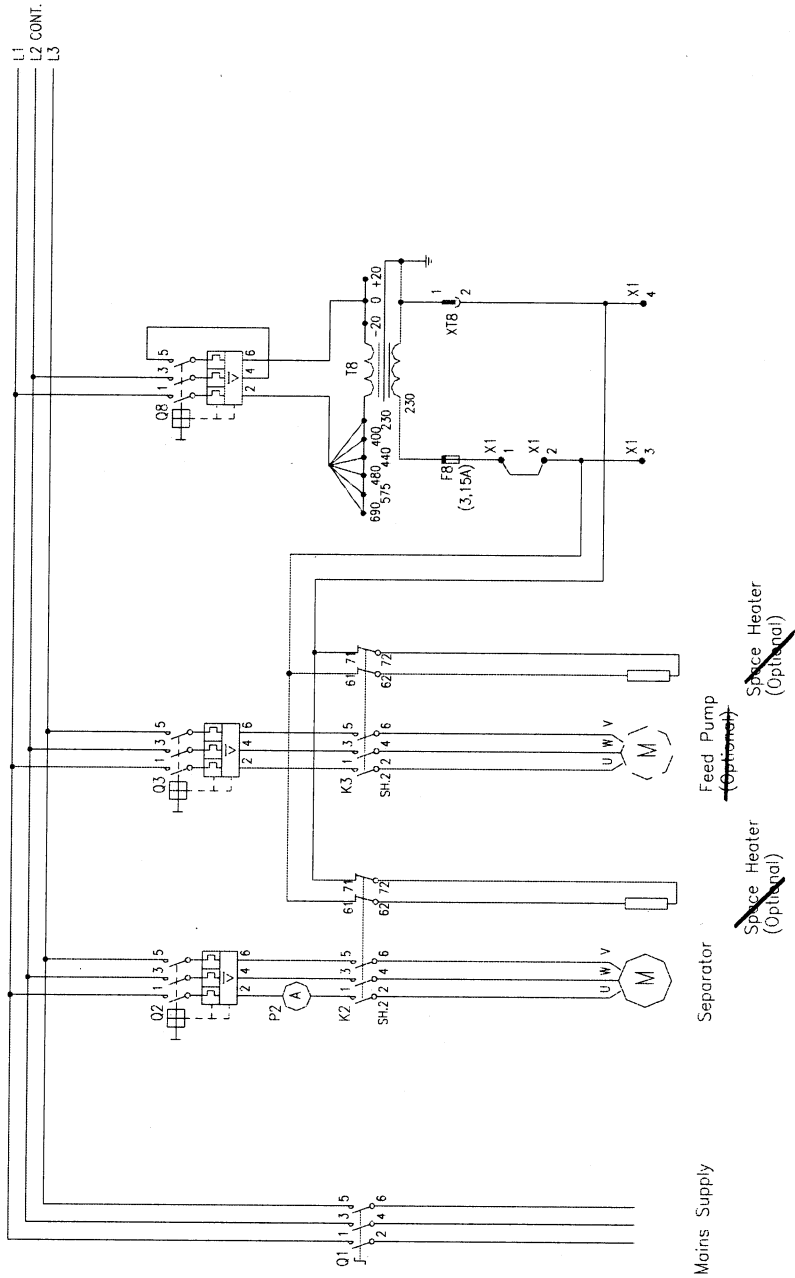
7. Components - 5 Control and Monitoring Units - 19 Control Unit, PA  
MDPC Acrobat Enclosure

7.5.19.3 Interconnection Diagram, Control Unit, PA cont.

\*=Replaces jumper in terminals  
\*\*=Internal connections

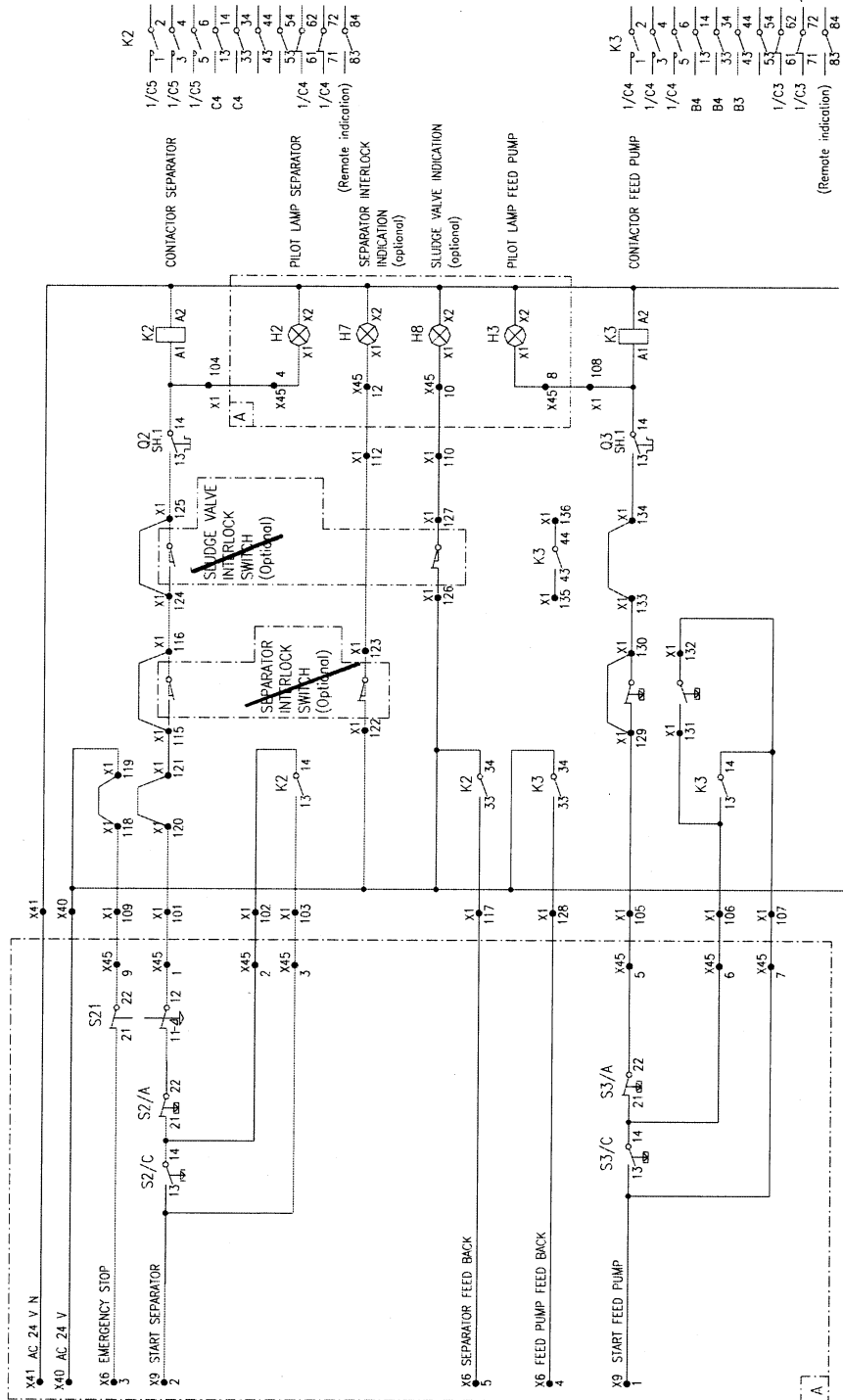


7.2.17.3 Electrical Diagrams, Starter for PA



7. Components - 2 Starters - 17 Starter for PA  
MDPC Acrobat Enclosure

7.2.17.3 Electrical Diagrams, Starter for PA cont.

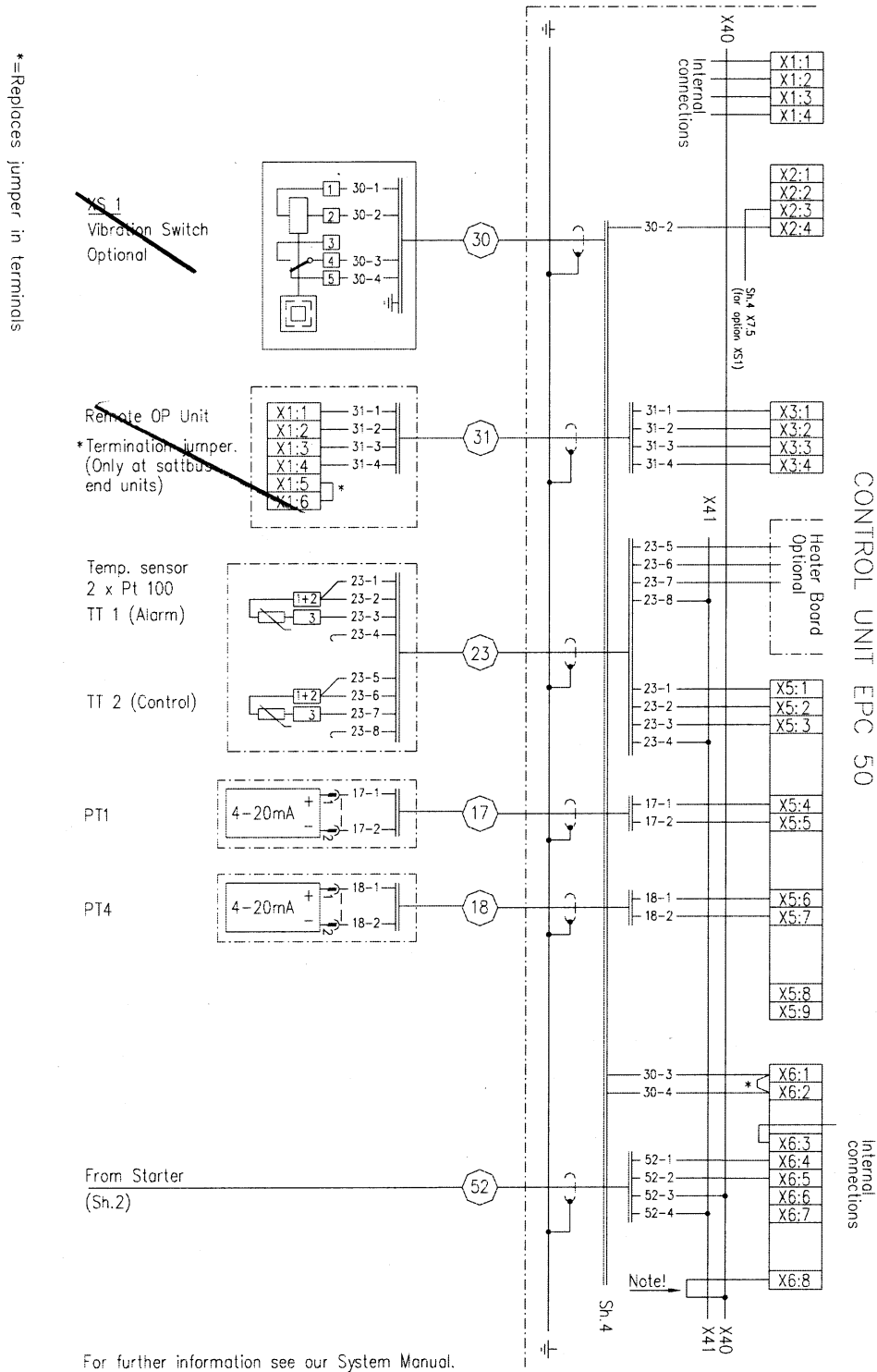


Ref. 571073 Sheet 2 Rev. 0

Marine Product Catalogue  
Illustrations, indications of material, dimensions and weights etc herein, do not constitute any commitment on our part.  
We reserve the right to change such specifications when necessary.

7. Components - 5 Control and Monitoring Units - 19 Control Unit, PA  
MDPC Acrobat Enclosure

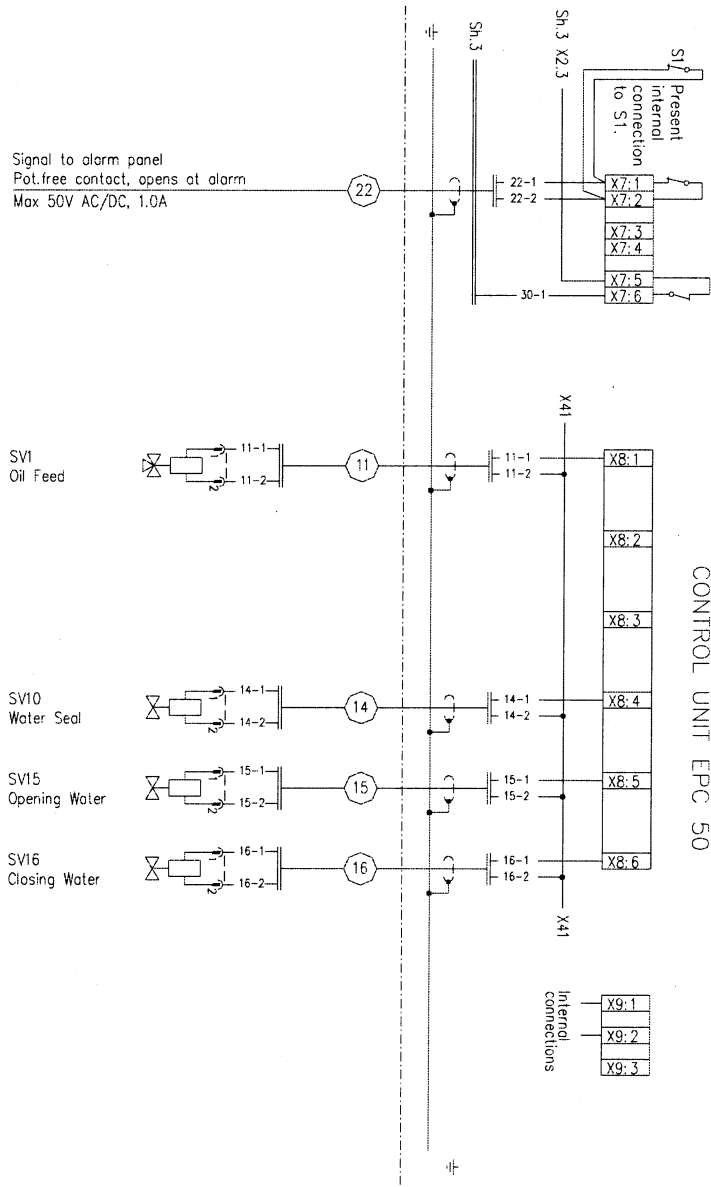
7.5.19.3 Interconnection Diagram, Control Unit, PA cont.



7. Components - 5 Control and Monitoring Units - 19 Control Unit, PA

MDPC Acrobat Enclosure

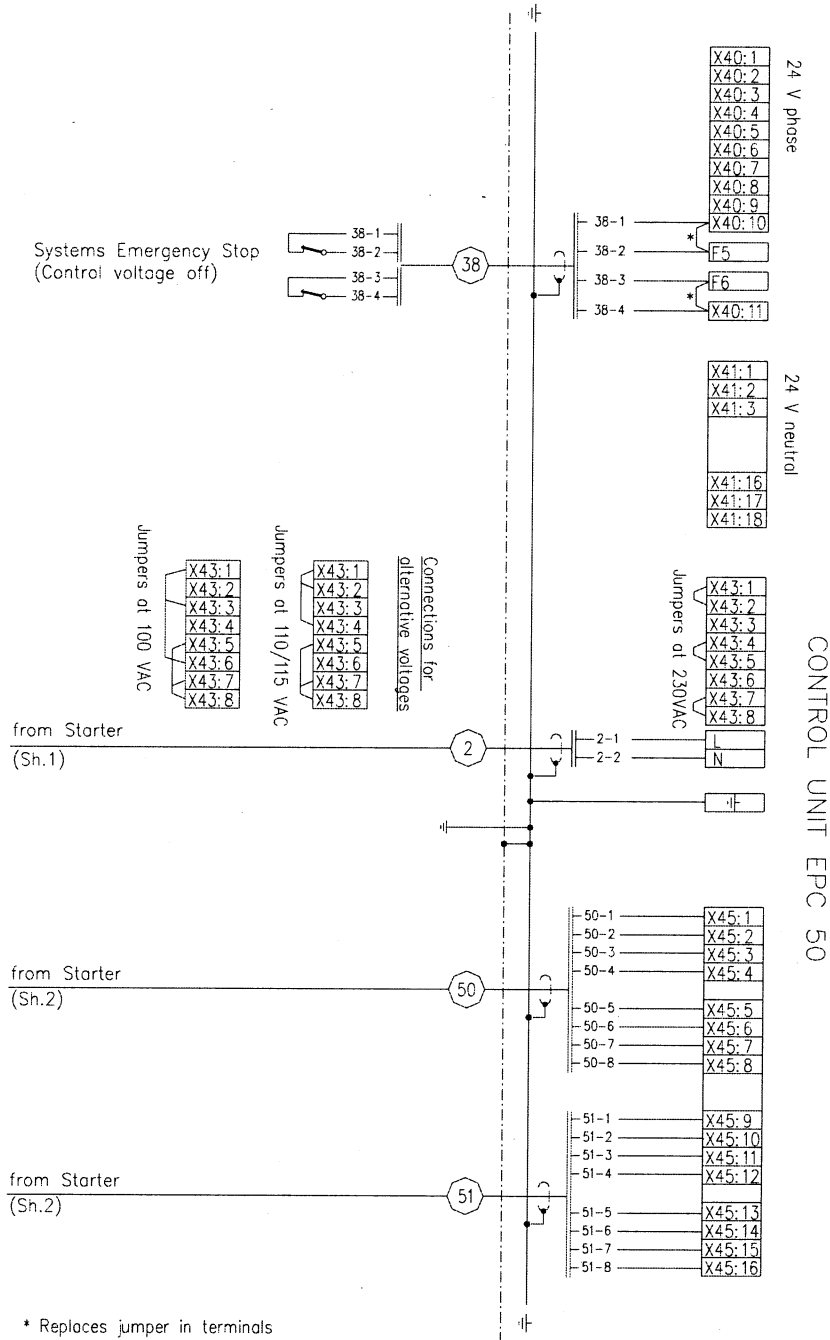
7.5.19.3 Interconnection Diagram, Control Unit, PA cont.



For further information see our System Manual.

7. Components - 5 Control and Monitoring Units - 19 Control Unit, PA  
MDPC Acrobat Enclosure

7.5.19.3 Interconnection Diagram, Control Unit, PA cont.





7. Components - 5 Control and Monitoring Units - 19 Control Unit, PA

MDPC Acrobat Enclosure

7.5.19.3 Interconnection Diagram, Control Unit, PA cont.

