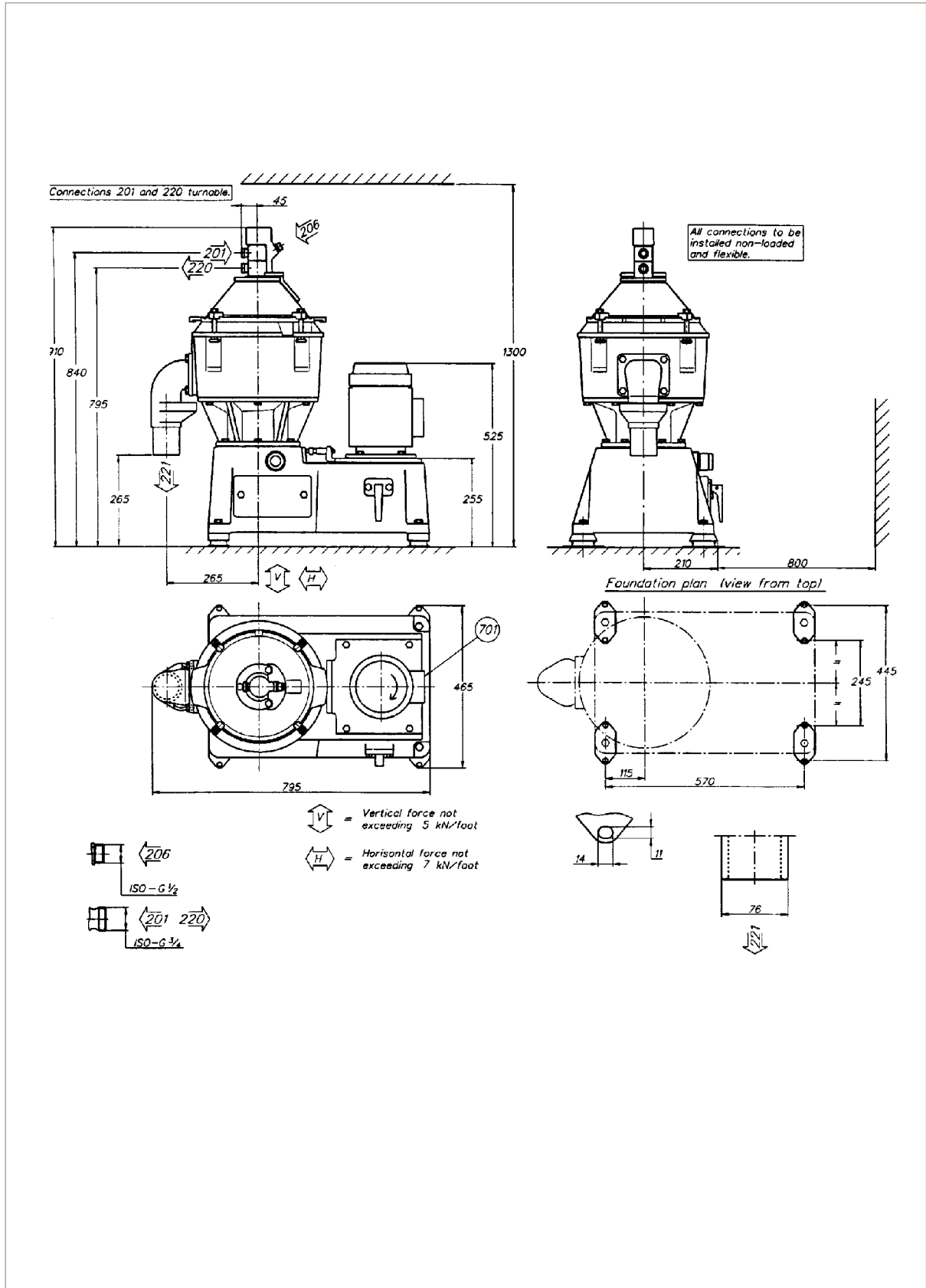


11.1.1.4 Dimension/Foundation Drawing MMB 304



Ref. 557415 Rev. 0

Marine & Diesel Product Catalogue

Page: 1/1

Illustrations, indications of material, dimensions and weights etc herein, do not constitute any commitment on our part. We reserve the right to change such specifications when necessary.