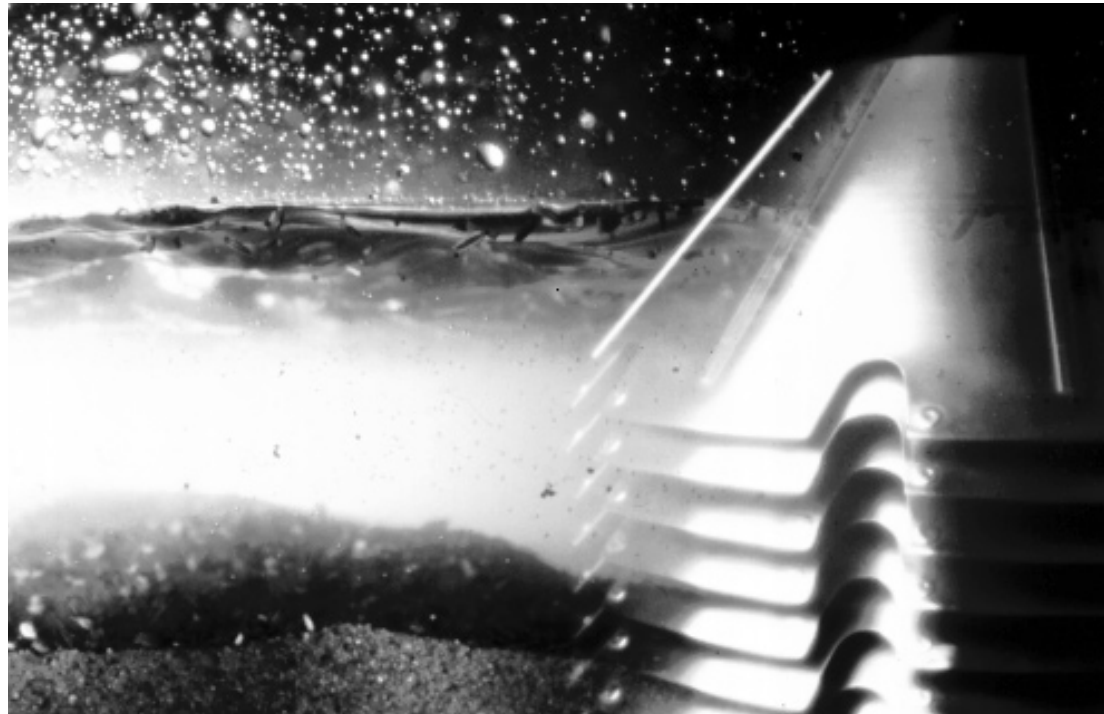


MIB 303S-13/33



Spare parts catalogue
Reservdelskatalog
Ersatzteilkatalog
Catalogue de pièces de
rechange
Catalogue de piezas de
recambio
Каталог запасных
частей

Catalogo parti di ricambio
Catalogo de pecas
sobressalentes
Varaosaluettelo
Καταλογος
ανταλλακτικων
Reserveonderdelen-
catalogus
Reservdelskatalog

Alfa Laval Separation AB
Separator Manuals, dept. SKL
S-147 80 Tumba, Sweden

Telephone: +46 8 53 06 50 00
Telefax: +46 8 53 06 50 29

Printed in Sweden, 97-09

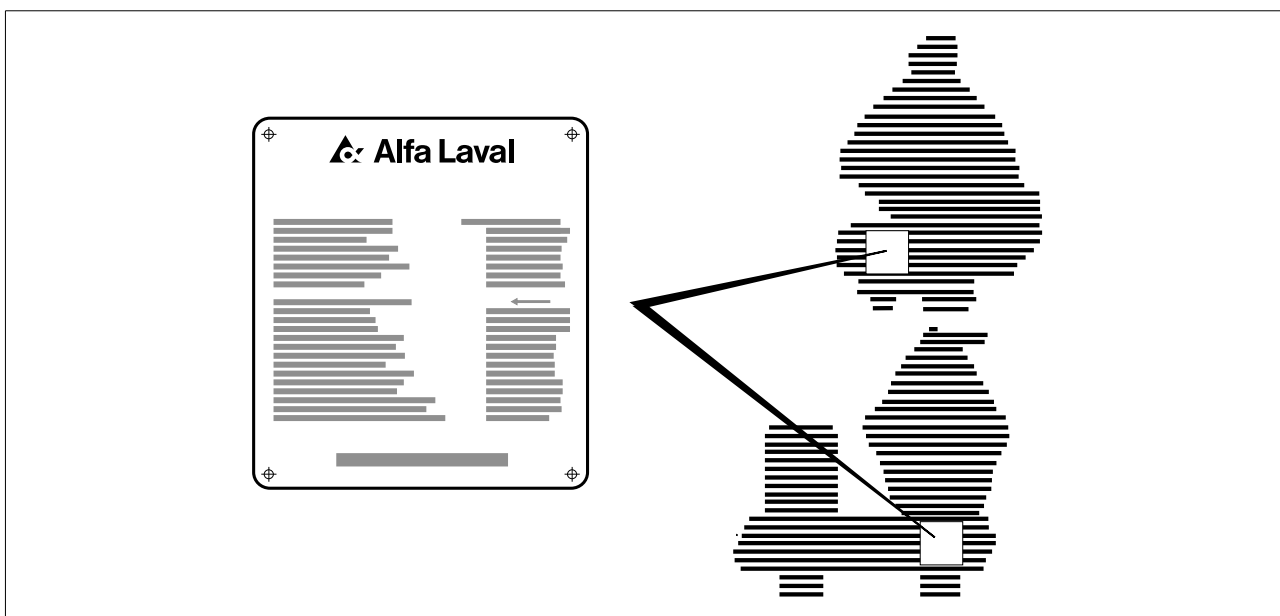
© **Alfa Laval Separation AB 1997**

This publication or any part thereof may not be reproduced or transmitted by any process or means without prior written permission of Alfa Laval Separation AB.

Contents

1	Read this first	5
2	Frame complete	12
2.1	Frame housing complete	14
2.2	Electronics box complete	16
2.3	Electronics box complete	18
3	Separator bowl complete, Purifier	20
4	Separator bowl complete, Clarifier	22
5	Inlet and outlet device	24
6	Electric motor	26
7	Set of tools	28
8	Service kit, o-rings	30
9	Service kit, vibration dampers	32
10	Service kit, disc stack	34
11	Service kit, motor	36
12	Conversion kit, Purifier to Clarifier	38
13	Cross reference list	41

1 Read this first



50023731

- en** Check the machine unit number on the name-plate before using this catalogue
- sv** Kontrollera maskinenhetens nummer på maskinskytten innan du använder katalogen
- de** Das Typenschild - ein Hinweis zur korrekten Ersatzteilnummer
- fr** La plaque de la machine, un guide pour trouver le numéro de pièce de rechange correct
- es** La placa-marca de la máquina - guía del número correcto del repuesto
- ru** Фирменная табличка машины – указатель правильного номера запасной части
- it** La targhetta della macchina - guida al corretto numero dei ricambi
- pt** A placa do fabricante da máquina - um guia do número correto das partes sobressalentes
- fi** Konekilpi - opastin oikeaan varaosnumeroon
- el** Η πινακίδα της μηχανής είναι ο οδηγός του σωστού ανταλλακτικού
- nl** Het gegevensplaatje - een wegwijzer naar het juiste onderdeelnummer
- da** Typeskiltet - en guide til det rette reservedelsnummer

en

Safeguard your commitment to quality by always using genuine Alfa Laval spare parts.

Remember, Alfa Laval cannot accept responsibility for the failure of a separator equipped with non-original spare parts. We guarantee the quality and reliability of our products.

sv

Följ ditt kvalitetstänkande genom att endast använda Alfa Laval originalreservdelar.

Kom ihåg att Alfa Laval inte tar något ansvar för fel på en separator, som innehåller icke-originaldelar. Vi garanterar kvaliteten och driftsäkerheten endast hos våra egna produkter.

de

Aus Rücksicht auf Ihr Bestreben um beste Qualität sollten Sie nur Alfa Laval Originalersatzteile benutzen.

Vergessen Sie nicht, Alfa Laval kann keine Verantwortung für das Versagen eines Separators übernehmen, der nicht mit Originalersatzteilen versehen ist. Wir garantieren Qualität und Zuverlässigkeit unserer Produkte.

fr

Préservez la qualité de vos équipements en n'employant que des pièces de rechange Alfa Laval.

N'oubliez pas q'Alfa Laval décline toute responsabilité en cas de panne d'un séparateur non équipé de pièces de rechange d'origine. Nous garantissons la qualité et la fiabilité de nos produits.

es

Mantenga su compromiso con la calidad, al usar siempre piezas de repuesto Alfa Laval auténticas.

Recuerde que Alfa Laval no acepta responsabilidad por el fallo de una separadora equipada con piezas de repuesto no originales. Garantizamos la calidad y fiabilidad de nuestros productos.



S0023621

ru

Γαραντιруйте надежность качества всегда используя подлинные запасные части фирмы Alfa Laval.

Запомните, что Alfa Laval не несет ответственности за повреждение сепаратора, оснащенного неподлинными запчастями. Мы гарантируем качество и надежность наших изделий.

it

Salvaguardate la vostra garanzia di qualità facendo sempre uso di parti di ricambio Alfa Laval autentiche.

Tenete presente che la Alfa Laval non può accettare responsabilità per avaria ad un separatore attrezzato con parti di ricambio non originali. Noi garantiamo la qualità l'affidabilità dei nostri prodotti.

pt

Proteja o seu cometimento a qualidade usando sempre peças sobressalentes genuinas Alfa Laval.

Não esqueça que Alfa Laval não aceita responsabilidade por falha de uma separadora equipada com peças sobressalentes não genuinas. Nós garantimos a qualidade e a confiança dos nossos produtos.

fi

Varmistakaa vastuunne laadusta käyttämällä aina alkuperäisiä Alfa Laval varaosia.

Muistakaa, Alfa Laval ei voi hyväksyä vastuuta ei-alkuperäsillä varaosilla varustetun separaattorin vaurioista. Me takaamme tuotteidemme laadun ja käyttövarmuuden.

el

Εξασφαλίστε υψηλή ποιότητα χρησιμοποιώντας μόνο γνήσια ανταλλακτικά της Alfa Laval.

Έχετε υπόψην ότι η Alfa Laval δεν αναλαμβάνει καμμία ευθύνη για βλάβες βουτυρομηχανής, στην οποία έχουν εφαρμοστεί μη γνήσια ανταλλακτικά. Εγγυόμαστε ποιότητα και καλή λειτουργία μόνο για τα δικά μας προϊόντα.



nl

Streef naar een zo hoog mogelijke kwaliteit en gebruik uitsluitend originele Alfa Laval reserveonderdelen. Streef naar een zo hoog mogelijke kwaliteit en gebruik uitsluitend originele Alfa Laval reserveonderdelen.

Vergeet niet dat Alfa Laval niet verantwoordelijk is voor een defecte separator die niet-originele onderdelen bevat. Wij garanderen de kwaliteit en betrouwbaarheid van onze eigen producten.

da

Hold Dem til den kvalitet, De har valgt at satse på, ved altid at anvende ægte Alfa Laval reservedele.

Husk, at Alfa Laval ikke kan påtage sig noget ansvar for fejl på en separator, som indeholder uoriginale dele. Vi kan kun garantere kvalitet og driftsikkerhed på vore egne produkter.



S0023621

Translation list

Översättningslista
 Übersetzungsliste
 Liste de traduction
 Lista de traducciones

en	sv	de	fr	es
Part no.	Reservdelsnummer	Teil-Nr.	Numéro de pièce	Pieza No.
Qty	Antal	Anzahl	Quantité	Cantidad
Description	Benämning	Bezeichnung	Dénomination	Descripción
Notes	Anmärkning	Anmerkungen	Remarques	Notas
Machine type	Maskintyp	Maschinentyp	Type de machine	Tipo de máquina
Product no.	Produktnr	Produktnummer	Numéro de produit	Número de producto
Machine unit description	Maskinblocksbenämning	Bezeichnung des Maschinenblocks	Dénomination de partie de machine	Descripción de sección de la máquina
Machine unit no.	Maskinblocksnr	Maschinenblock Nr.	Partie de machine n°	No. de sección de máquina
Subassembly description	Undergruppsbenämning	Bezeichnung der Untergruppe	Dénomination de sous-ensemble	Descripción de subconjunto
Subassembly no.	Undergruppsnr	Untergruppe Nr.	N° de sous-ensemble	Número de subconjunto
See page	Se sidan	Siehe Seite	Voir page	Véase la página
Fig. ref.	Figurhänvisning	Bildhinweise	Réf. de fig.	Referencia de figura
Product name	Produktnamn	Produktname	Nom du produit	Nombre del producto
Exchange necessitates rebalancing of bowl	Utbyte nödvändiggör ombalansering av kulan	Austausch erfordert Wiederauswuchtung der Trommel	Le remplacement nécessite le rééquilibrage du bol	El racmbio requiere el reequilibrado del rotor
See separate spare parts list	Se separat reservdelslista	Siehe separate Ersatzteilliste	Voir liste séparée des pièces de rechange	Véase la lista de piezas separada
Not delivered as spare part	Levereras ej som reservdel	Nicht als Ersatzteil geliefert	Non livré comme pièce de rechange	No se entrega como pieza de recambio

Translation list

Словарь перевода
 Lista traduzioni
 Lista para tradução
 Käännösluettelo

en	ru	it	pt	fi
Part no.	Деталь №	Nr.parte.	Numero de peca	Varaosanumero
Qty	Кол-во	Quantita	Quantidade	Lukumäärä
Description	Наименование	Descrizione	Descricao	Nimitys
Notes	Примечания	Note	Notas	Huomatuksia
Machine type	Машина тнпа	Tipo macchina	Tipo de maquina	Konetyyppi
Product no.	Артикул №	Nr.prodotto	No. do produto	Tuotteen no
Machine unit description	Наименование блока машины	Nr. unita macchina	Descricao da unidade da maquina	Koneenosan nimitys
Machine unit no.	Блок машины №	Descrizione sottogruppo	Numero de unidade da maquina	Koneenosan no
Subassembly description	Наименование группы	Descrizione unita macchina	Descricao do subconjunto	Alaryhmän nimitys
Subassembly no.	Группа №	Nr. sottogruppo.	Número de subconjunto	Alaryhmän no
See page	См. страницу	Vedi pagina	Véase la página	Ks sivu
Fig. ref.	Ссылка на эскиз	Rif. fig.	Referencia de figura	Kuvaviite
Product name	Наименование артикула	Nome prodotto	Nombre del producto	Tuotteen nimi
Exchange necessitates rebalancing of bowl	Замена требует балансировки барабана	La sostituzione comporta la iequilibratura del tamburo	El racmbio requiere el reequilibrado del rotor	Vaihdettaessa kuula tasapainoitettava uudelleen
See separate spare parts list	См. отдельный перечень запасных частей	Vedi lista separata delle parti di ricambio	Véase la lista de piezas separada	Katso erillistä varaosaluettelo
Not delivered as spare part	Не поставлена вместе с запасными частями	Non fornito come parte di ricambio	No se entrega como pieza de recambio	Ei toimiteta varaosana

Translation list

ΓΛΩΣΣΑΡΙ

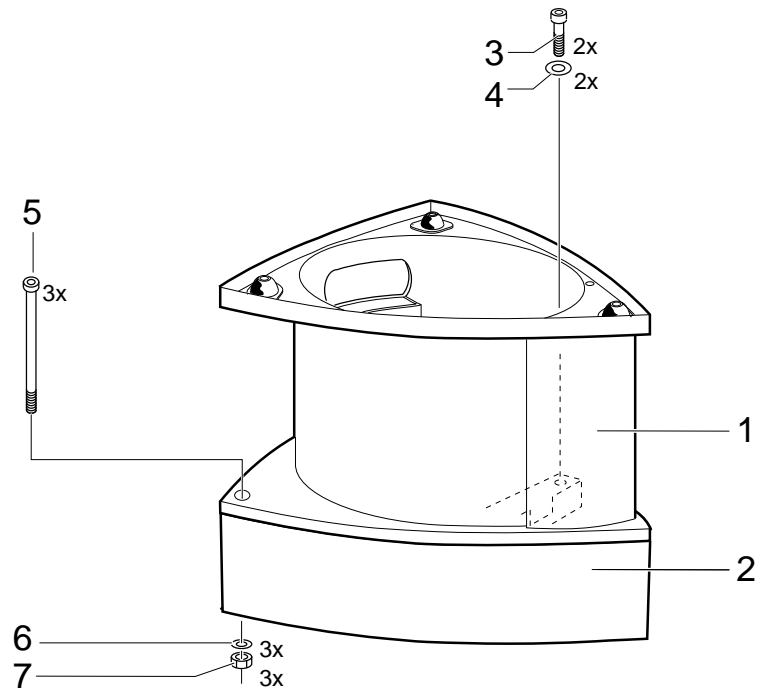
Vertaallijst

Oversættelsesliste

en	el	nl	da
Part no.	Αριθμός ανταλλακτικού	Onderdeelnr.	Reservedelsnummer
Qty	Σύνολο	Hoeveelheid	Antal
Description	Περιγραφή	Beschrijving	Betegnelse
Notes	Παρατηρήσεις	Opmerkingen	Bemaerkninger
Machine type	Τύπος μηχανήματος	Machinetype	Maskintype
Product no.	Αριθμός προϊόντος	Produktnr.	Produktnr.
Machine unit description	Περιγραφή συγκροτήματος μηχανής	Machineblokbenaming	Maskinbetegnelse
Machine unit no.	Αριθμός συγκροτήματος μηχανής	Machineblokbenaming	Maskinnr.
Subassembly description	Περιγραφή υποσυγκροτήματος	Subgroepbenaming	Undergruppsbetegnelse
Subassembly no.	Αριθμός υποσυγκροτήματος	Subgroepnr.	Undergruppenr.
See page	Βλέπε σελίδα	Zie blz.	Se side
Fig. ref.	Παραπομπή σε εικόνα	Afb. ref.	Figurhenviisning
Product name	Ονομασία προϊόντος	Produktnaam	Produktnavn
Exchange necessitates rebalancing of bowl	Ανταλλαγή απαιτεί επαναρύθμιση ισορροπίας του τύμπανου	Vervanging vereist herbalanceren van de kogel	Udskriftning kraever ny afbalcering af kuglen
See separate spare parts list	Βλέπε ειδική λίστα ανταλλακτικών	Vervanging vereist van de kogel	Se spaat reservedelsliste
Not delivered as spare part	Δεν παραδίδεται ως ανταλλακτικό	Niet geleverd als reserveonderdeel	Levereres ikke som reservedel

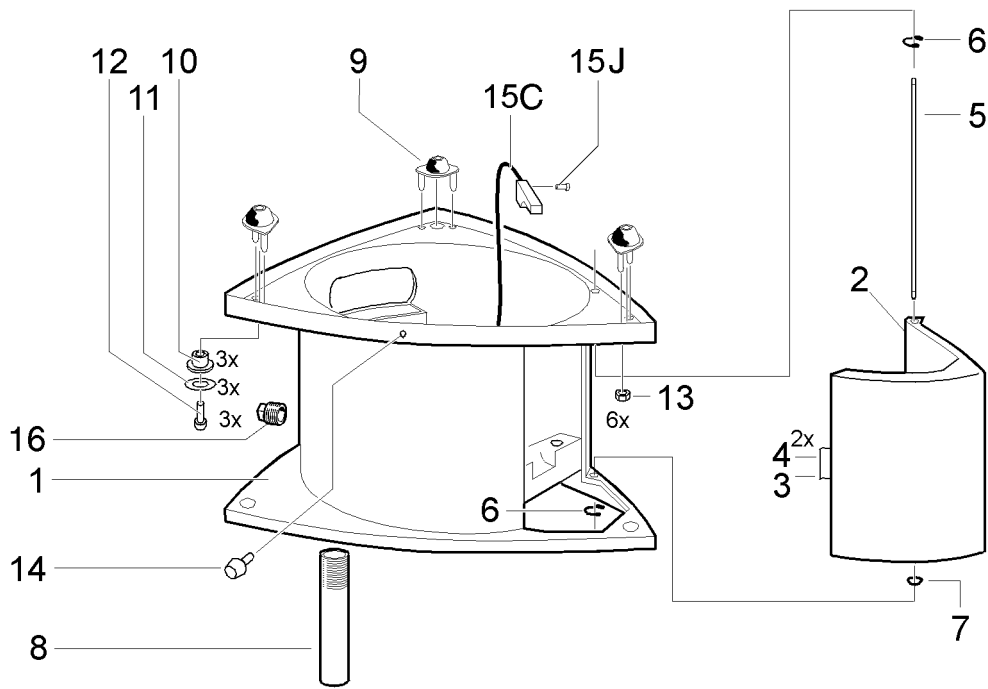
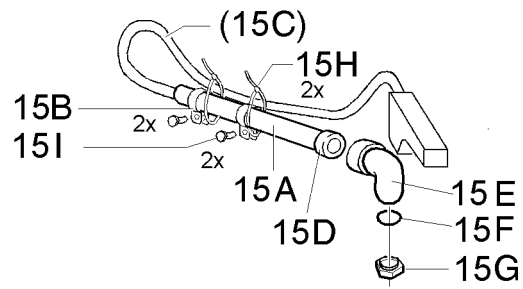
2 Frame complete

Ref	Part No	Description	Machine unit number or Subassembly description 554449-			Notes											
			-03	-04	-05												
		230 V AV 50/60 Hz	↓														
		110 V AC 50/60 Hz		↓													
		24 V DC			↓												
1	554422 81	Frame housing complete	1	1	1												See page 15
2	556952 02	Electronics box complete			1												See page 19
2	562261 02	Electronics box complete	1														See page 17
2	562261 03	Electronics box complete			1												See page 17
3		Screw	2	2	2												
4		Washer	2	2	2												
5		Screw	3	3	3												
6		Washer	3	3	3												
7		Nut	3	3	3												



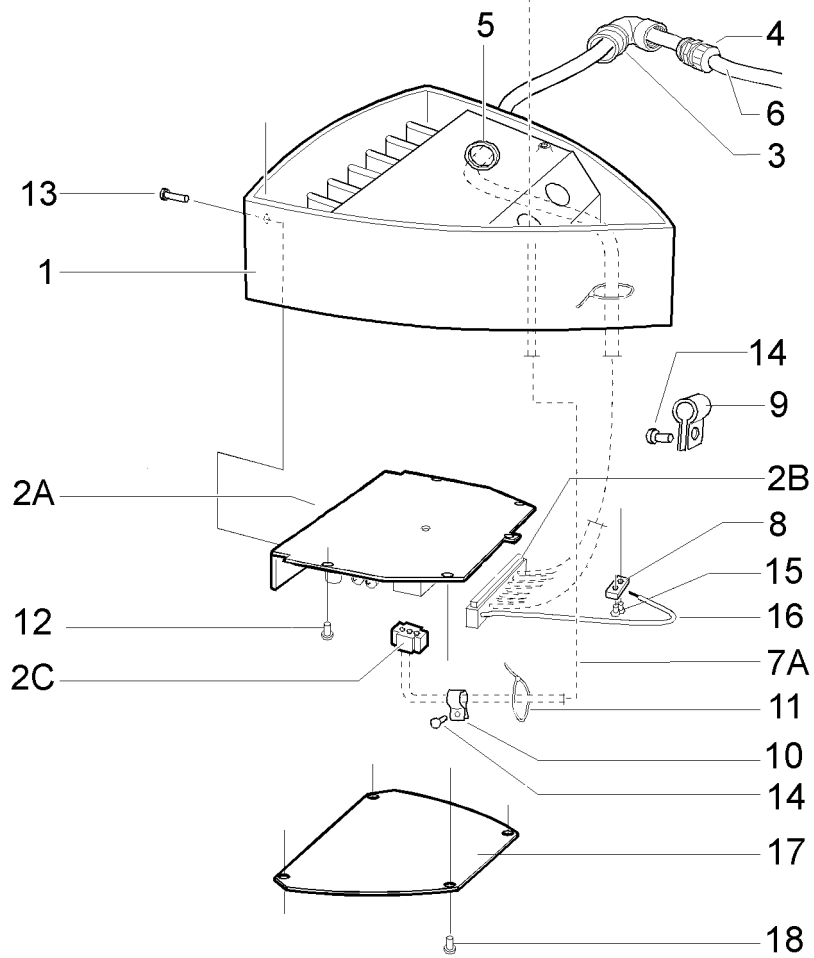
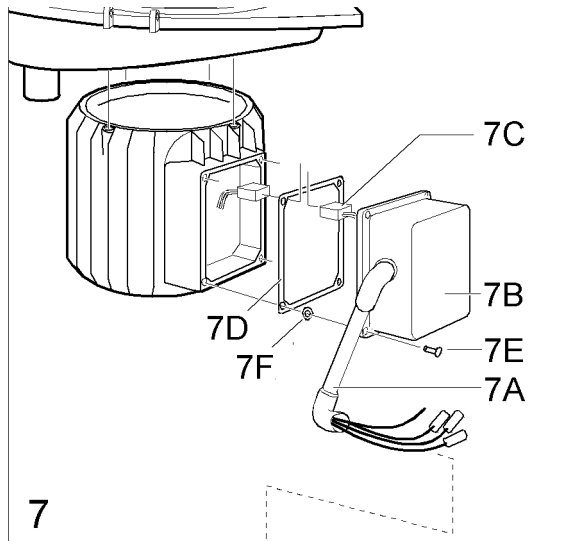
2.1 Frame housing complete

Ref	Part No	Description	Machine unit number or Subassembly description							Notes
			554422-							
			-81	Quantity						
1		Frame housing	1							
2		Door	1							
3		Lock spring	1							
4		Screw	2							
5		Cyl. pin	1							
6		Snap ring	2							
7		Washer	1							
8		Connecting pipe	1							
9	554482 80	Vibration damper	3							included in service kit 554603-02
10		Stop flange	3							
11		Washer	3							
12		Screw	3							
13	221891 04	Lock nut	6							included in service kit 554603-02
14		Stopper	1							
15	554202 01	Monitoring kit	1							
15A		Protective tube	1							L=195
15B		Tube clip	2							
15C	554151 01	Magnetic proximity switch	1							
15D		Compression gland	1							
15E		Tube gland, angle 90 deg.	1							
15F		Gasket ring	1							
15G		Lock nut	1							
15H		Cable tie	2							
15I		Cross recessed screw, mrx	2							
15J		Screw	1							
16		Plug	1							



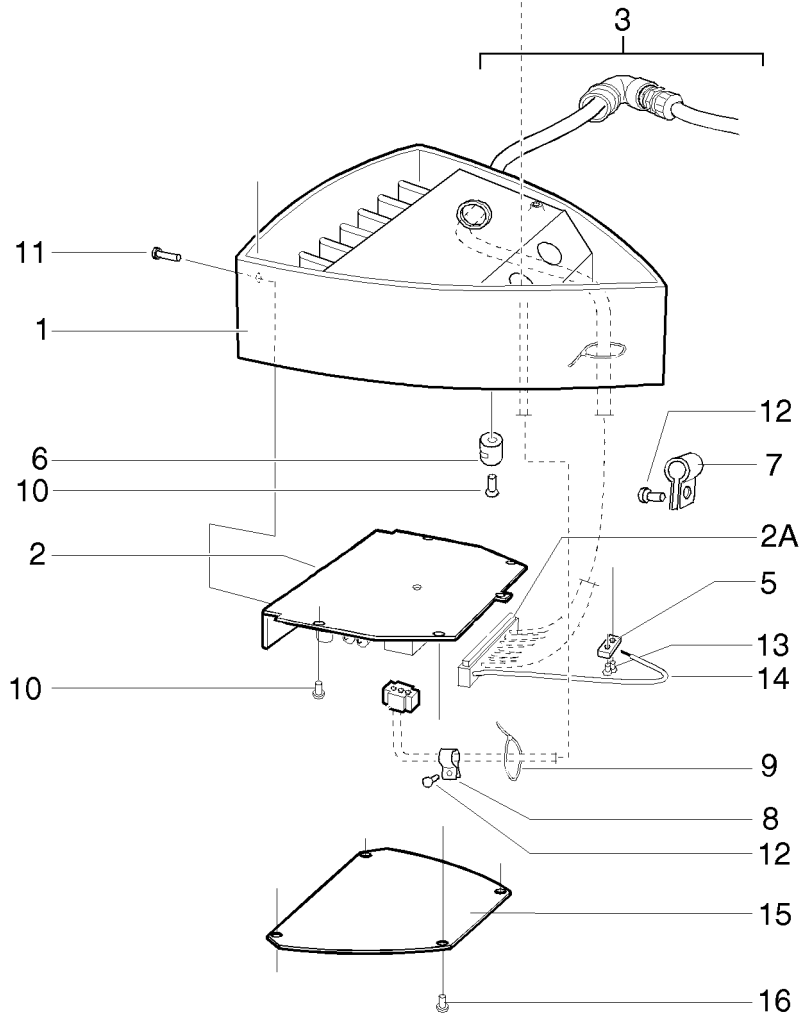
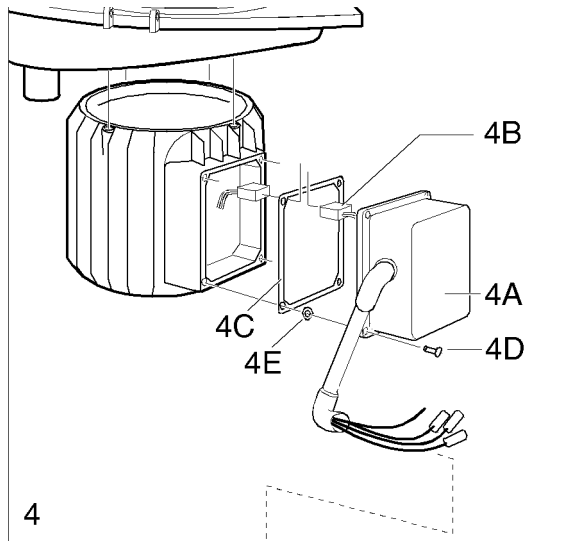
2.2 Electronics box complete

Ref	Part No	Description	Machine unit number or Subassembly description		562261-						Notes	
			-02	-03	Quantity							
		230 V AV 50/60 Hz 110 V AC 50/60 Hz	↓	↓								
1		Electronics box	1	1								
2	562255 80	Frequency converter compl	1									
2	562255 81	Frequency converter compl		1								
2A		Frequency converter	1									
2A		Frequency converter		1								
2B		Female connector	1	1								
2C		Plug	1	1								
3		Elbow pipe	1	1								
4		Cable gland	1	1								
5		Lock nut	1	1								
6		Cable	1	1								
7	554196 21	Motor cable set, complete	1	1								
7A		Motor cable set	1	1								
7B		Terminal box drilled	1	1								
7C		Plug	1	1								
7D		Sealing	1	1								
7E		Screw	4	4								
7F		Washer	4	4								
8		Clamp	1	1								
9		Cable clamp	1	1								
10		Cable clamp	1	1								
11		Cable tie	2	2								
12		Screw	6	6								
13		Screw	4	4								
14		Cross recessed screw, mrx	2	2								
15		Cross recessed screw, mrx	2	2								
16		Cable	1	1								green/yellow L=140
17		Cover	1	1								
18		Screw	4	4								



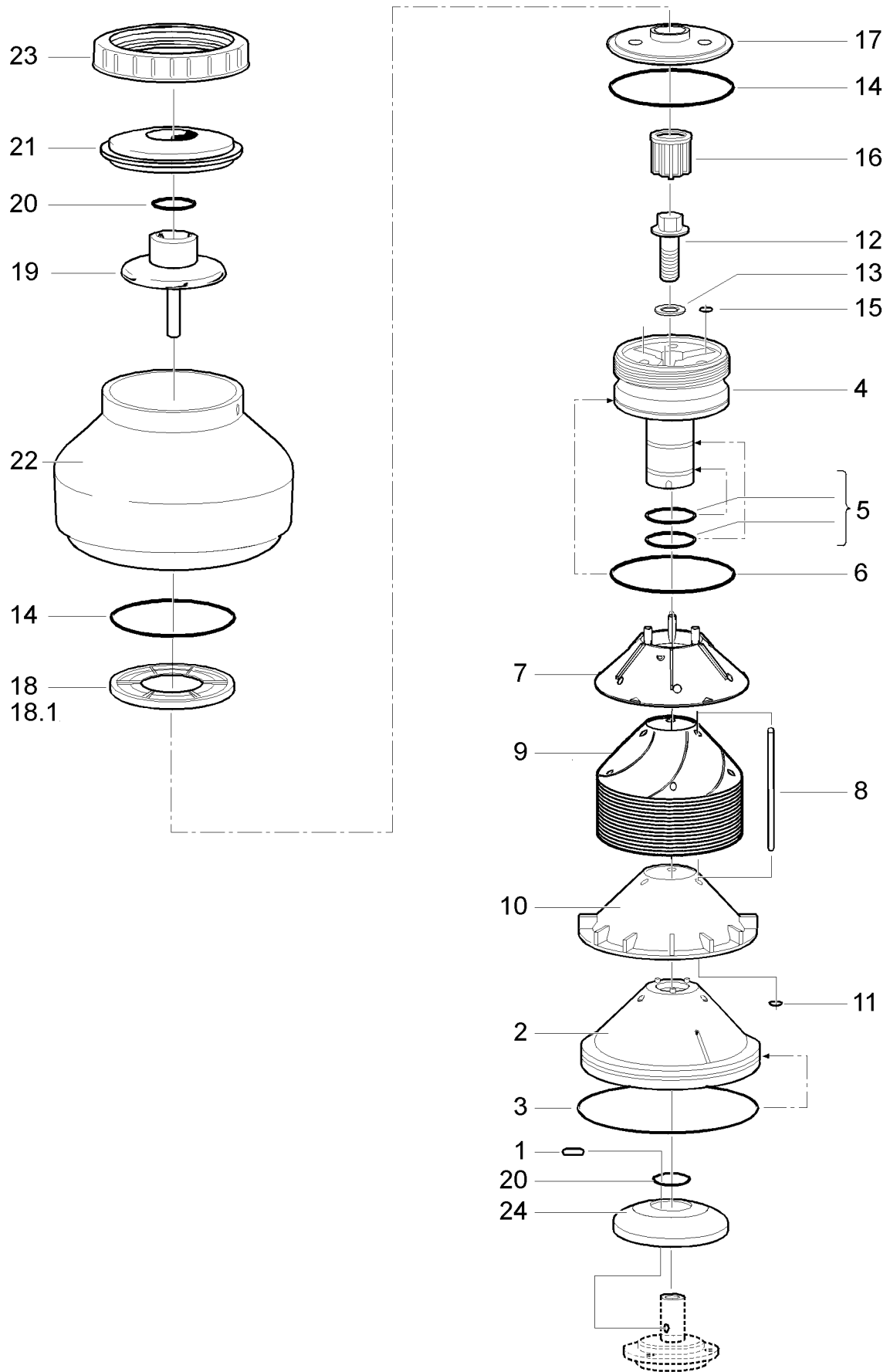
2.3 Electronics box complete

Ref	Part No	Description	Machine unit number or Subassembly description 556952-							Notes
			-02	Quantity						
1		24 V DC Electronics box	↓							
2	556835 01	Frequency convert. complete	1							
2A		Female connector	1							
3		Cable set complete	1							
4	556506 02	Motor cable set, complete	1							
4A		Terminal box drilled	1							
4B		Plug	1							
4C		Sealing	1							
4D		Screw	4							
4E		Washer	4							
5		Clamp	1							
6		Circuit board holder	1							
7		Cable clamp	1							
8		Cable clamp	1							
9		Cable tie	4							
10		Screw	6							
11		Screw	4							
12		Cross recessed screw, mrx	2							
13		Cross recessed screw, mrx	2							
14		Cable	1							
15		Cover	1							
16		Screw	4							



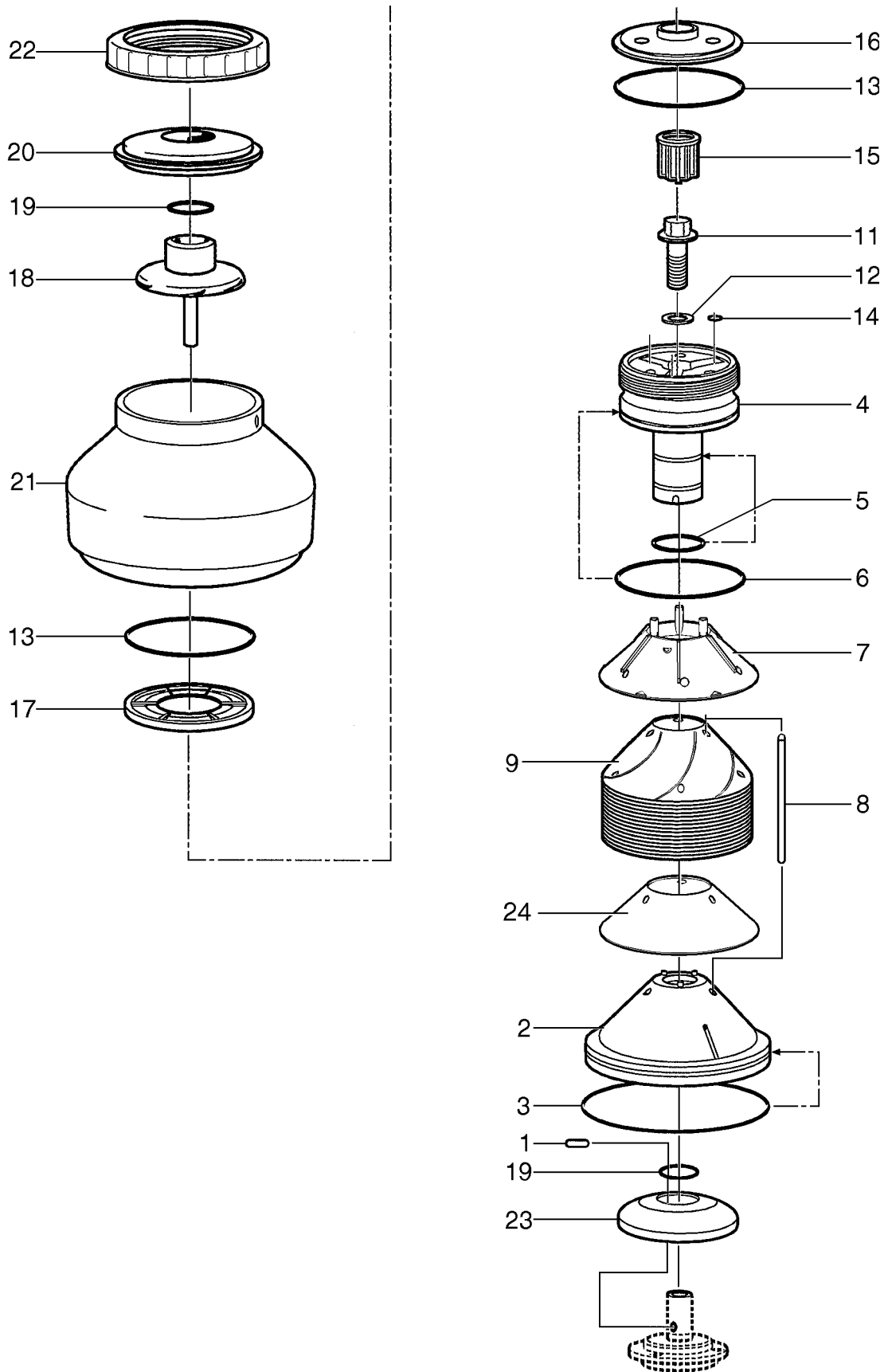
3 Separator bowl complete, Purifier

Ref	Part No	Description	Machine unit number or Subassembly description							Notes	
			553915-								
			-01	Quantity							
1		Cylindrical pin	1								
2		Bowl bottom complete	1								
3	260104 66	O-ring	1								included in service kit 554603-01
4		Centre rod	1								
5	223406 93	O-ring	2								included in service kit 554603-01
6	260104 93	O-ring	1								included in service kit 554603-01
7		Inlet cone	1								
8	553921 01	Pin for bowl disc	3								
9	553983 01	Bowl disc	36								included in service kit 554603-03
10		Heavy phase disc	1								
11	223403 02	O-ring	3								included in service kit 554603-01 and service kit 554603-03
12		Centre screw	1								
13	553914 01	Washer	1								
14	546198 29	O-ring	2								included in service kit 554603-01
15	223403 55	O-ring	3								included in service kit 554603-01
16		Sleeve with wings	1								
17		Paring chamber lower part	1								
18	553943 01	Level ring	1								white, Ø 43
18.1	553943 02	Level ring	1								black, Ø 50
19	554416 80	Paring disc complete	1								
20	223403 29	O-ring	2								included in service kit 554603-01
21		Paring chamber cover	1								
22	553982 02	Bowl wall	1								
23		Lock nut	1								
24		Deflector ring	1								



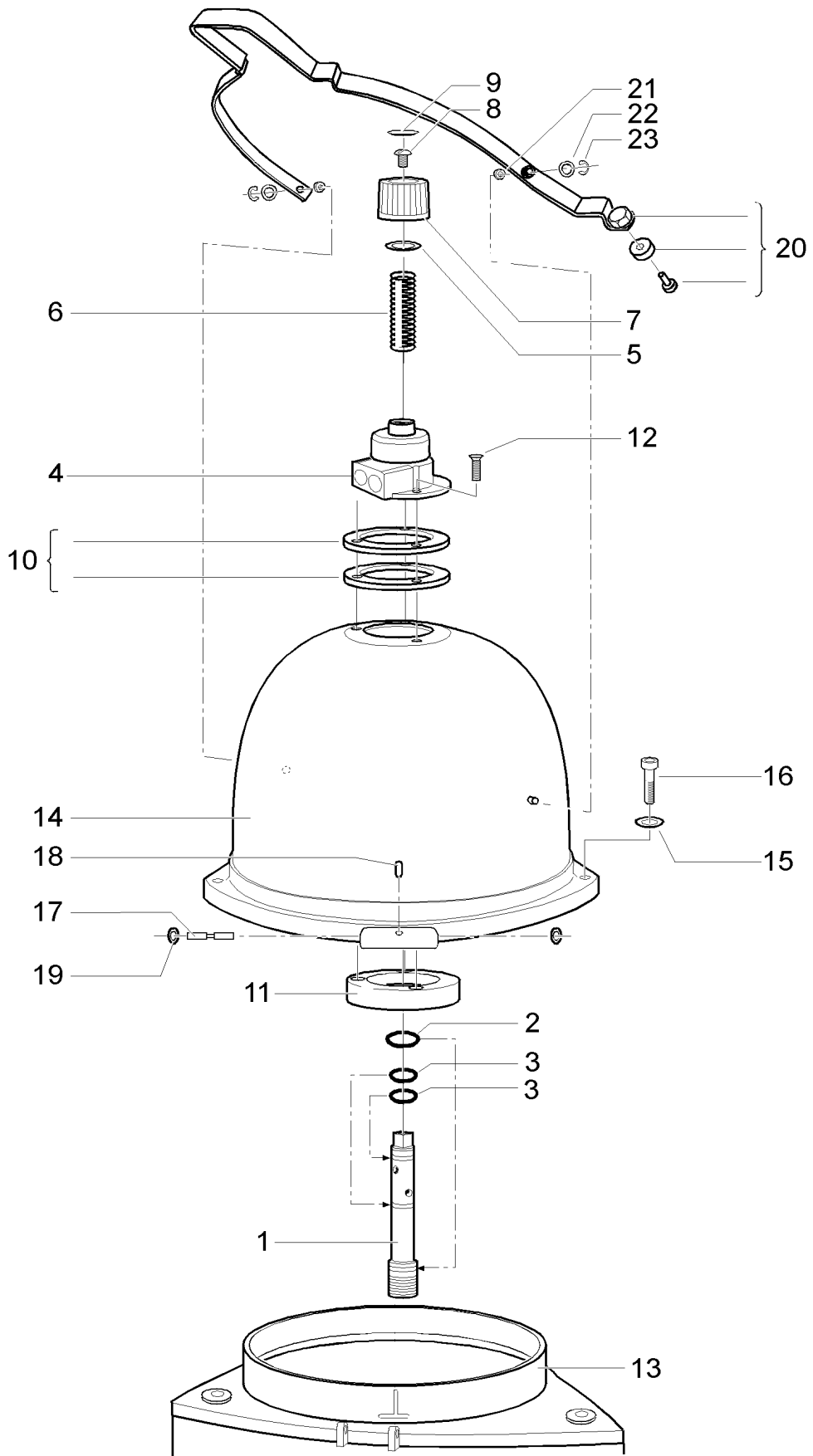
4 Separator bowl complete, Clarifier

Ref	Part No	Description	Machine unit number or Subassembly description 557981-							Notes
			-01	Quantity						
1		Cylindrical pin	1							
2		Bowl bottom complete	1							
3	260104 66	O-ring	1							included in service kit 554603-01
4		Centre rod	1							
5	223406 93	O-ring	1							included in service kit 554603-01
6	260104 93	O-ring	1							included in service kit 554603-01
7		Inlet cone	1							
8	553921 01	Pin for bowl disc	3							
9	553983 01	Bowl disc	41							included in service kit 554603-04
11		Centre screw	1							
12	553914 01	Washer	1							
13	546198 29	O-ring	2							included in service kit 554603-01
14	223403 55	O-ring	3							included in service kit 554603-01
15		Sleeve with wings	1							
16		Paring chamber lower part	1							
17	553943 02	Level ring	1							black, Ø 50
18	554416 80	Paring disc complete	1							
19	223403 29	O-ring	2							included in service kit 554603-01
20		Paring chamber cover	1							
21	553982 02	Bowl wall	1							
22		Lock nut	1							
23		Deflector ring	1							
24	560480 01	Bottom disc	1							included in service kit 554603-04



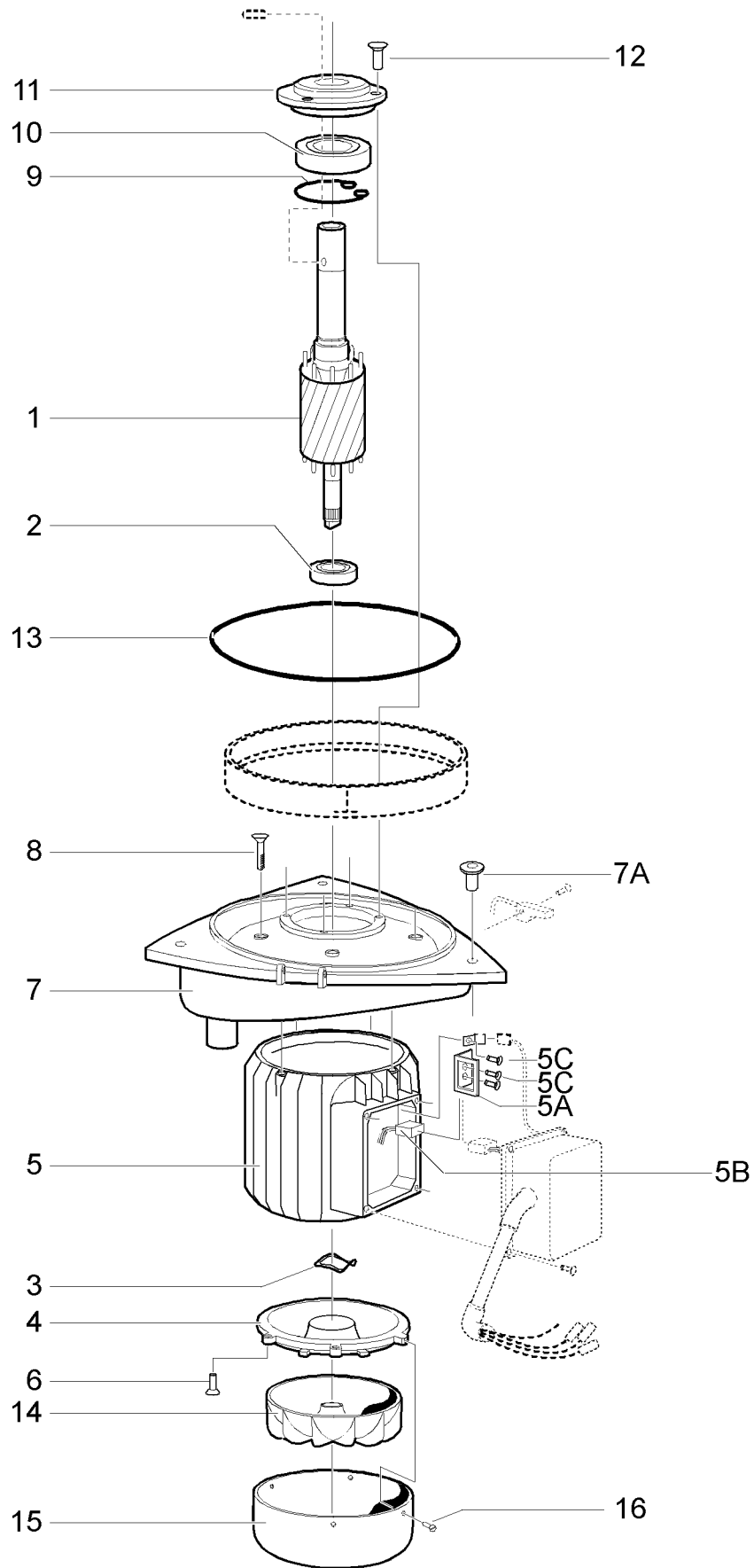
5 Inlet and outlet device

Ref	Part No	Description	Machine unit number or Subassembly description 554379-							Notes
			-01	Quantity						
1	554027 01	Inlet pipe	1							
2	223404 52	O-ring	1							included in service kit 554603-01 included in service kit 554603-01
3	223403 56	O-ring	2							
4	554386 80	Connecting housing complete	1							
5		Sliding washer	2							
6		Spring	1							
7	554072 01	Knob	1							
8		Cross recessed screw	1							
9		Covering washer	1							
10		Height adjusting ring	3							
11		Threaded flange	1							
12		Screw	3							
13		Splash guard	1							
14		Hood complete	1							
15		Washer	3							
16	554325 01	Screw	3							
17		Hinge pin	1							
18		Tubular spring pin	1							
19		Washer	2							
20	554245 80	Safety yoke complete	1							
21		Corrugated shim	2							
22		Washer	2							
23		Snap ring	2							



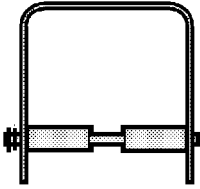
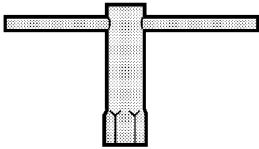
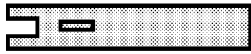
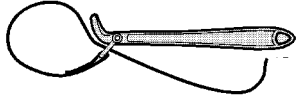
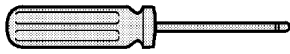

6 Electric motor

Ref	Part No	Description	Machine unit number or Subassembly description 554179-				Notes
			-01	-02	-03	Quantity	
		230 V AC 50/60 Hz 24 V DC	↓				
		110 V AC 50/60 Hz		↓			
1		Spindle complete	1	1	1		
2	548051 08	Ball bearing	1	1	1		included in service kit 554603-06
3	554498 01	Corrugated shim	1	1	1		included in service kit 554603-06
4	554120 01	Bearing shield lower	1	1	1		
5		Stator casing, complete	1				
5		Stator casing, complete		1			
5		Stator casing, complete			1		
5A		Holder	1	1	1		
5B		Cap	1	1	1		
5C		Cross recessed screw, mrx	3	3	3		
6		Screw	4	4	4		
7		Motor flange complete	1	1	1		
7A		Threaded bushing	3	3	3		
8		Screw	4	4	4		
9		Snap ring	1	1	1		
10	548051 09	Ball bearing	1	1	1		included in service kit 554603-06
11		Bearing housing	1	1	1		
12		Screw	4	4	4		
13	260168 07	O-ring	1	1	1		included in service kit 554603-01
14	554160 01	Fan	1	1	1		included in service kit 554603-06
15		Fan cover	1	1	1		
16		Cross recessed screw, mrx	4	4	4		



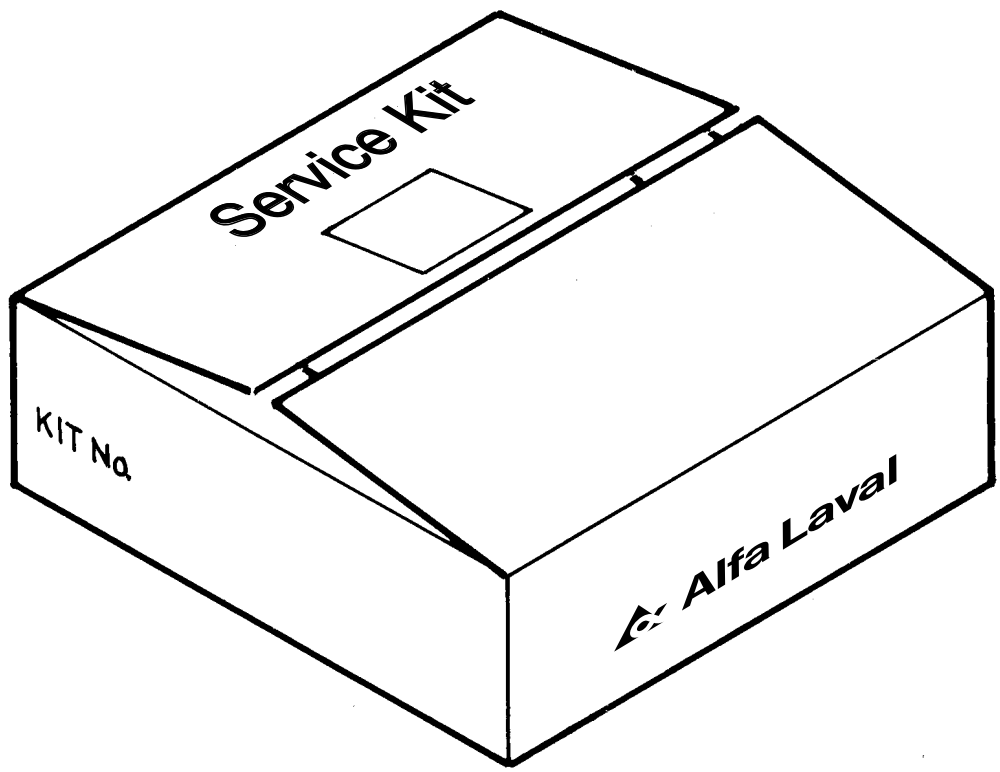
7 Set of tools

Ref	Part No	Description	Machine unit number or Subassembly description							Notes	
			554540-								
			-02	Quantity							
1	554277 80	Puller	1								
2	554281 01	Socket spanner 16	1								
3	554406 02	Wrench	1								
6	554669 01	Belt wrench	1								
7	554670 01	Hexagonal socket driver	1								
8	560846 01	Bowl wall scraper	1								

1 	2 	3 
6 	7 	8 

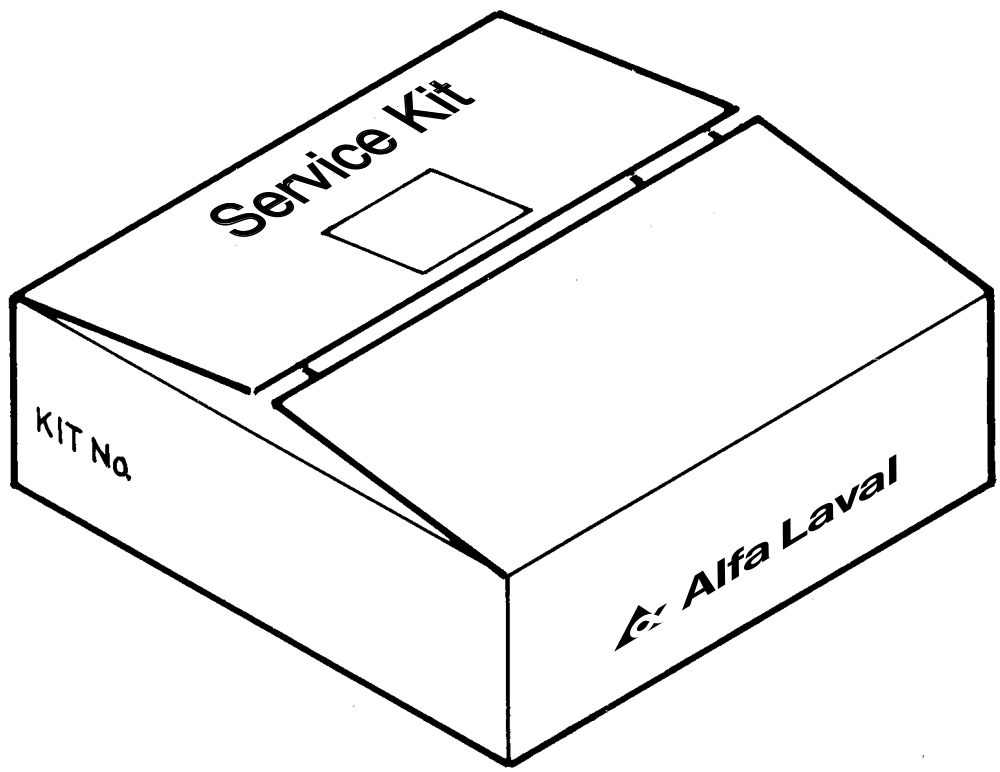
8 Service kit, o-rings

Ref	Part No	Description	Machine unit number or Subassembly description 554603-							Notes
			-01	Quantity						
1	539474 03	Silicone grease	1							
2	260168 07	O-ring	1							
3	260104 66	O-ring	1							
4	260104 93	O-ring	1							
5	223403 55	O-ring	3							
6	546198 29	O-ring	1							
7	546198 29	O-ring	1							
8	223403 29	O-ring	1							
9	223403 56	O-ring	2							
10	223404 52	O-ring	1							
11	223406 93	O-ring	2							
12	223403 02	O-ring	3							



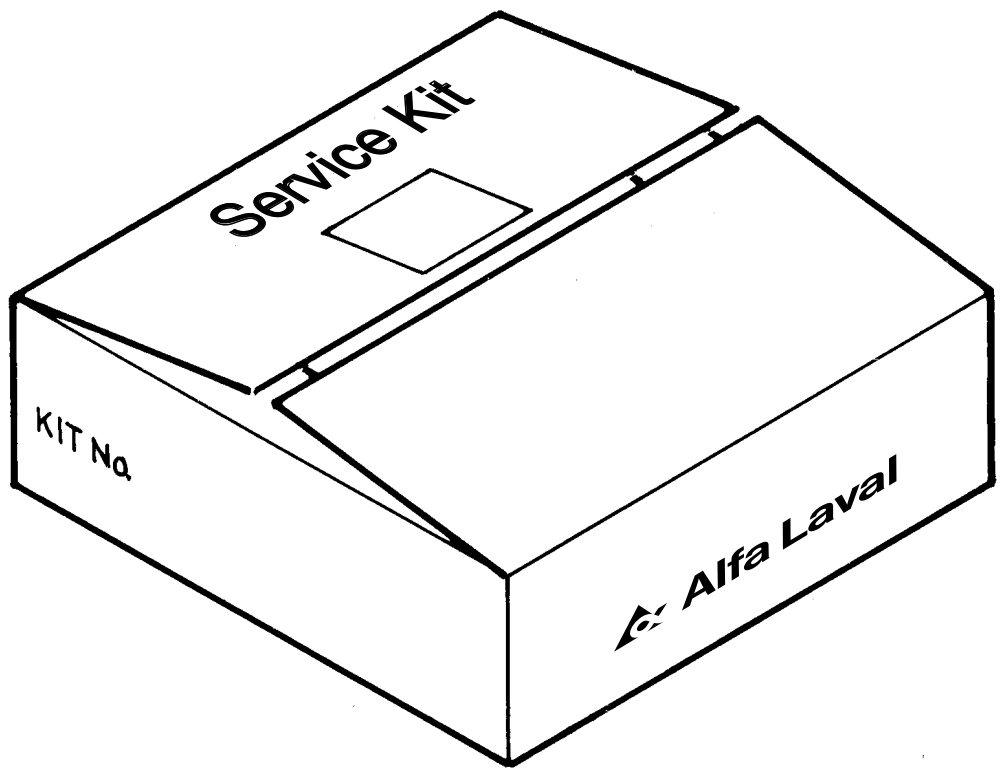
9 Service kit, vibration dampers

Ref	Part No	Description	Machine unit number or Subassembly description				Notes
			-02	554603-			
			Quantity				
1	554482 80	Vibration damper	3				
2	221891 04	Lock nut	6				



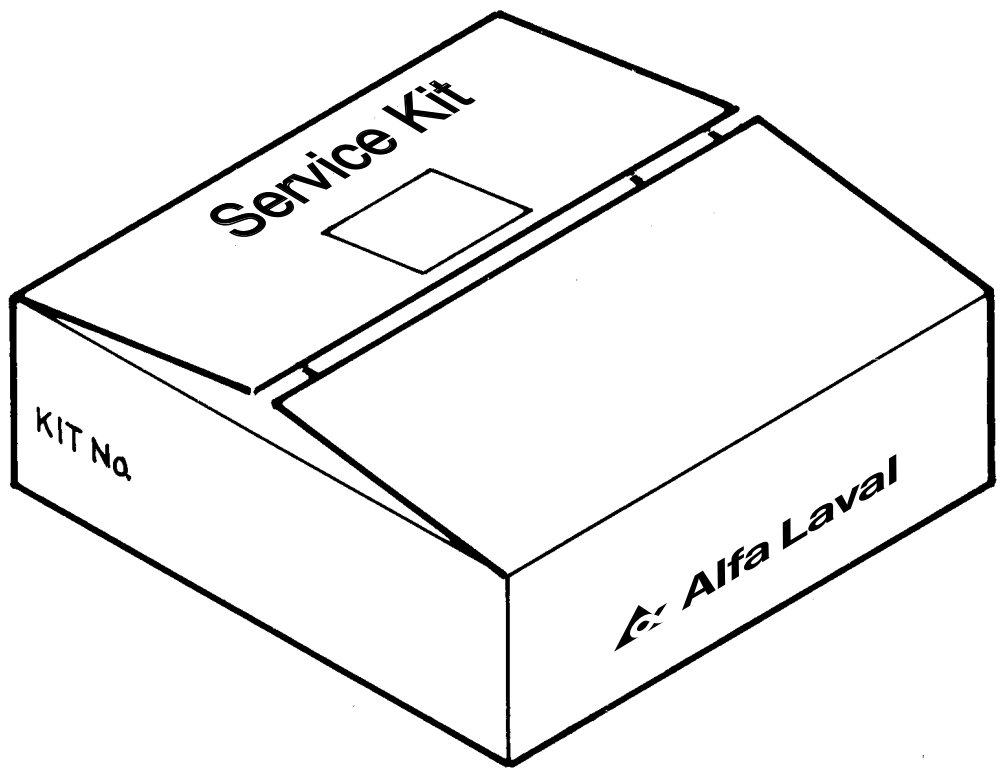
10 Service kit, disc stack

Ref	Part No	Description	Machine unit number or Subassembly description		Quantity						Notes	
			-03	-04								
		Purifier Clarifier	↓									
1	553983 01	Bowl disc	36	41								
2	223403 02	O-ring	3									
2	560480 01	Bottom disc		1								



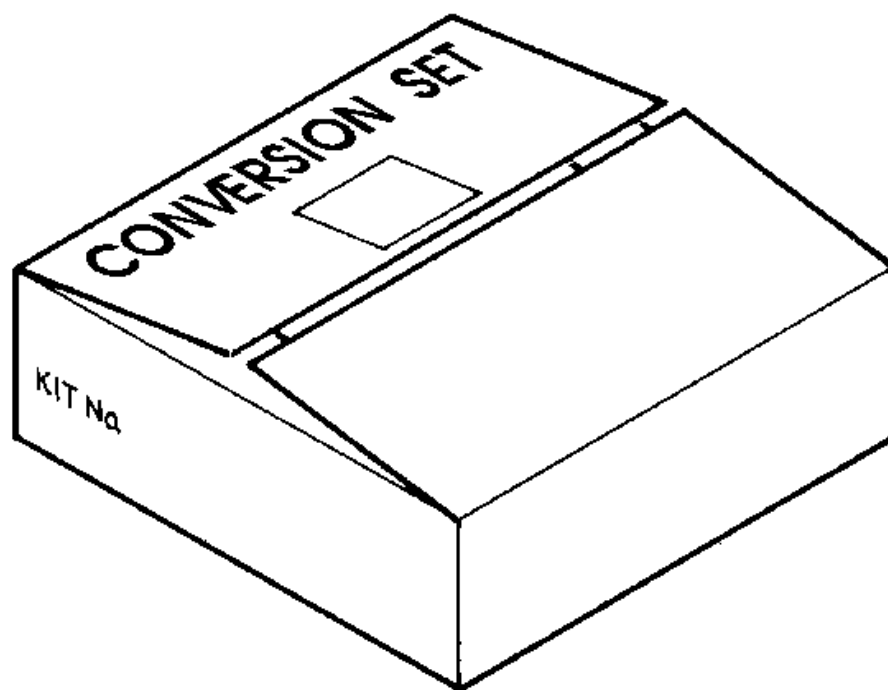
11 Service kit, motor

Ref	Part No	Description	Machine unit number or Subassembly description							Notes	
			554603-								
			-06	Quantity							
1	554448 01	Mount. tool for bearings	1								
2	554448 02	Mount. tool for bearings	1								
3	548051 08	Ball bearing	1								
4	548051 09	Ball bearing	1								
5	554498 01	Corrugated shim	1								
6	554160 01	Fan	1								



12 Conversion kit, Purifier to Clarifier

Ref	Part No	Description	Machine unit number or Subassembly description							Notes	
			561865-								
			-01	Quantity							
1	553917 81	Bowl bottom complete	1								
2	553983 01	Bowl disc	5								
3	560480 01	Bottom disc	1								
4	260104 66	O-ring	1								



13 Cross reference list

Part No	Page	Ref.
221891 04	15	13
221891 04	33	2
223403 02	21	11
223403 02	31	12
223403 02	35	2
223403 29	21	20
223403 29	21	19
223403 29	31	8
223403 55	21	15
223403 55	21	14
223403 55	31	5
223403 56	25	3
223403 56	31	9
223404 52	25	2
223404 52	31	10
223406 93	21	5
223406 93	21	5
223406 93	31	11
260104 66	21	3
260104 66	23	3
260104 66	31	3
260104 66	39	4
260104 93	21	6
260104 93	21	6
260104 93	31	4
260168 07	27	13
260168 07	31	2
539474 03	31	1
546198 29	21	14
546198 29	21	13
546198 29	31	6
546198 29	31	7
548051 08	27	2
548051 08	37	3
548051 09	27	10
548051 09	37	4
553914 01	21	13
553914 01	23	12
553917 81	39	1
553921 01	21	8
553943 01	21	18
553943 02	21	18.1
553943 02	23	17
553982 02	21	22
553982 02	23	21
553983 01	21	9
553983 01	21	9
553983 01	35	1
553983 01	39	2
554027 01	25	1

Part No	Page	Ref.
554072 01	25	7
554120 01	27	4
554160 01	27	14
554151 01	15	15 C
554160 01	37	6
554196 21	17	7
554202 01	15	15
554245 80	25	20
554277 80	29	1
544281 01	29	2
554325 01	25	16
554386 80	25	4
554406 02	29	3
554416 80	21	19
554416 80	23	18
554422 81	12	1
554448 01	37	1
554448 02	37	2
554482 80	15	9
554482 80	33	1
554498 01	27	3
554498 01	37	5
554669 01	29	6
554670 01	29	7
556506 02	19	4
556835 01	19	2
556952 02	12	2
560480 01	23	24
560480 01	35	2
560480 01	39	3
560846 01	29	8
562255 80	17	2
562255 81	17	2
562261 02	12	2
562261 03	12	2

