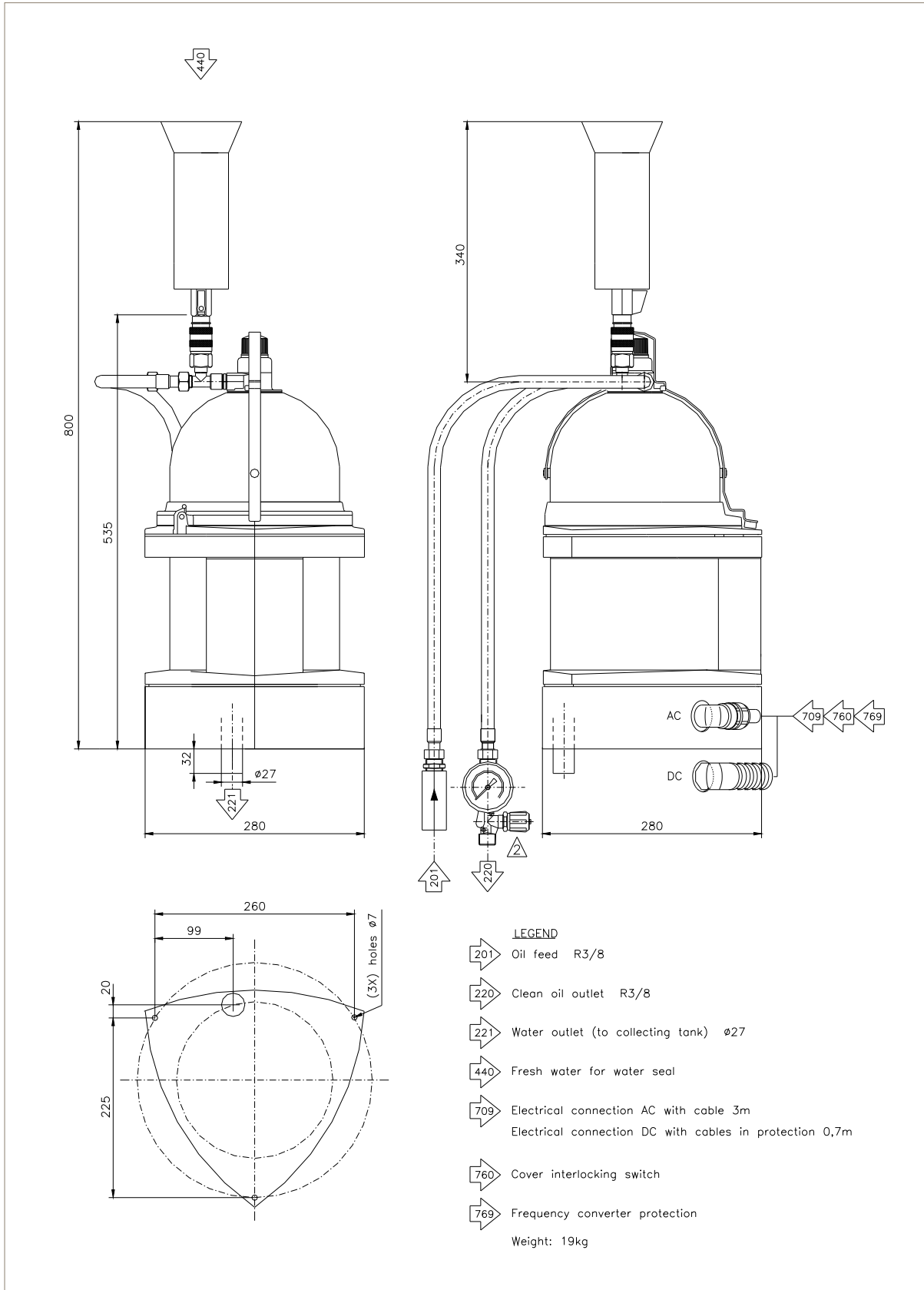


1.13 Dimension drawing, MIB 303



Ref. 1765812 Rev. 1