

6 5 4 3 2 1

D

D

C

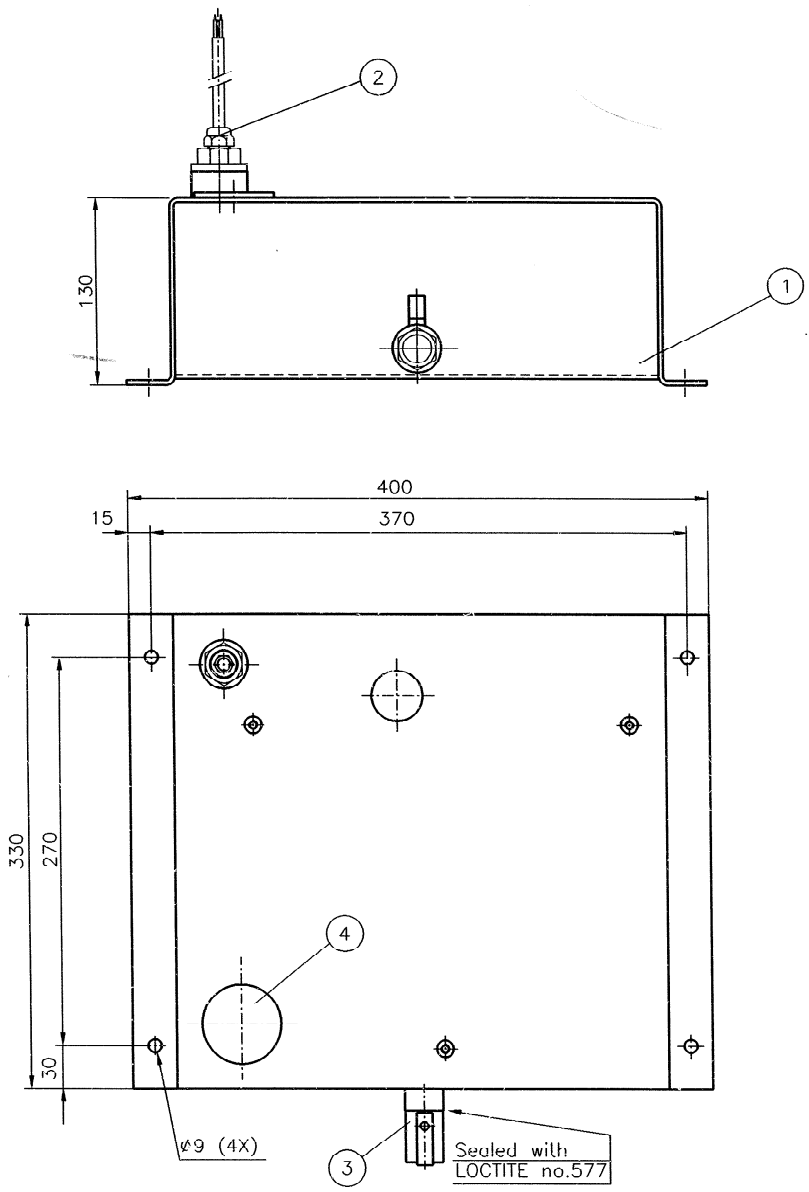
C

B

B

A

A



Weight: 10kg

Only to the extent necessary agreed by this contract. This document and its contents are the exclusive property of Alfa Laval AB, and may not be copied, reproduced, transmitted or communicated to a third party, nor used for any purpose without written permission.

Rev. No.	Date	Revised	Checked	Appr.
2	9/70708	HC	BC	BEA

CAD

(A)

Title Collecting tank complete				 Alfa Laval Separation AB Tumba, Sweden		
Type of doc.	Scale 1:2,5	Dept. SMR	Date 940818	Sheet No.	No. of sheets	Revision No. 2
First angle projection Method ISO E	Class No.	Drawn HO	Checked BCn	Appr. LHD	Document No. 1764725	

6 5 4 3 2 1 A2