

Strainer

Product No.	1763904-01
Printed Book No.	Aug 1997 1818081-02 V2

Alfa Laval reserve the right to make changes at any time without prior notice.

Any comments regarding possible errors and omissions or suggestions for improvement of this publication would be gratefully appreciated.

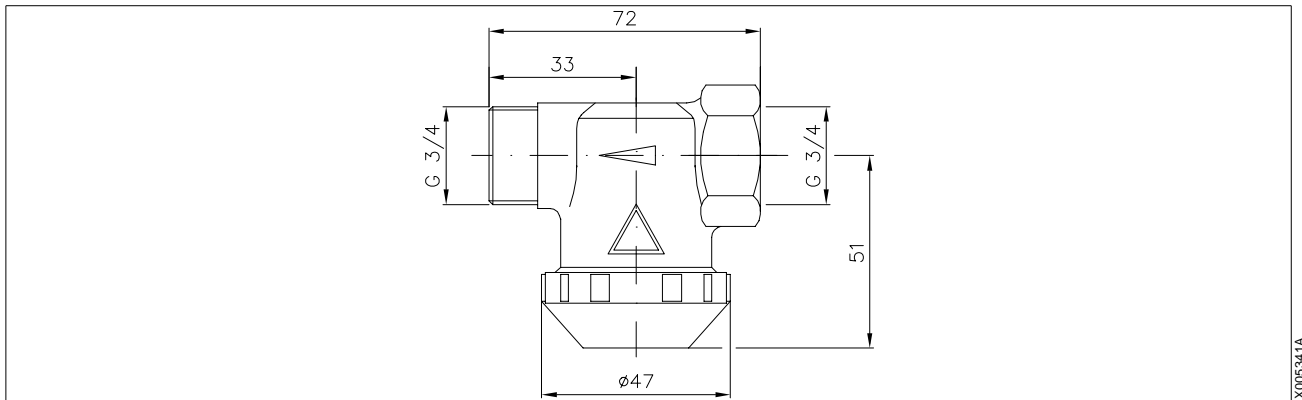
Copies of this publication can be ordered from your local Alfa Laval company.

Published by: Alfa Laval Separation AB
Marine & Power Division
S - 147 80 Tumba
Sweden

© Copyright Alfa Laval Separation AB 1997.

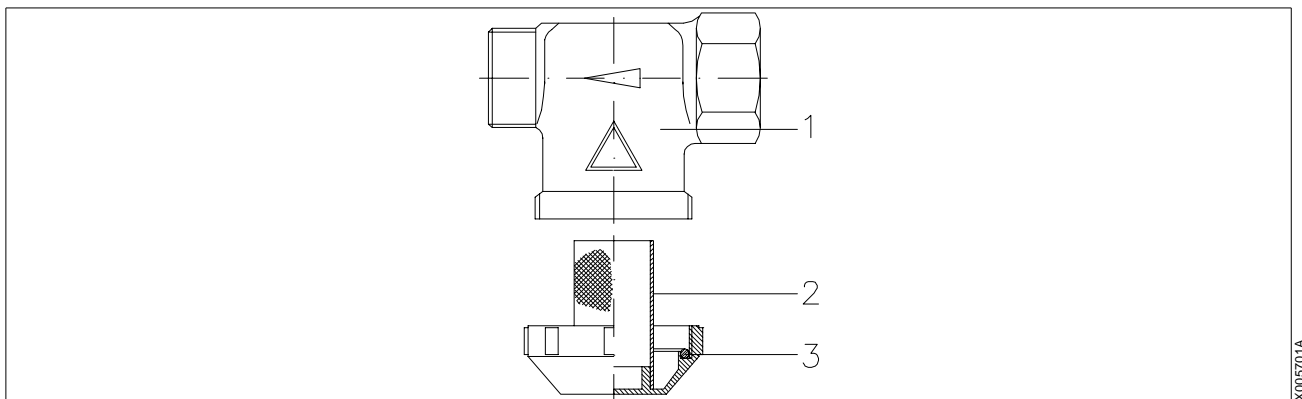
1 Technical Data

1.1 Dimensions



Ref. 1763904 Rev. 1

1.2 Spare Parts



Ref. 1763907 Rev. 1

Item	Qty	Article No.	Description	Material	Remarks
1			Body	Nickel-plated brass	
2	1	1763907-01	Strainer insert	Stainless steel	Mesh 0.8 mm
3	1	1763907-02	O-ring	Viton	

